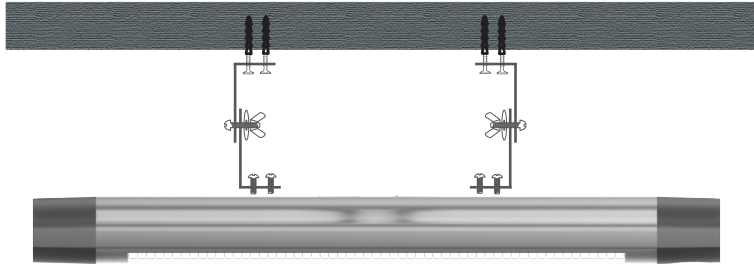


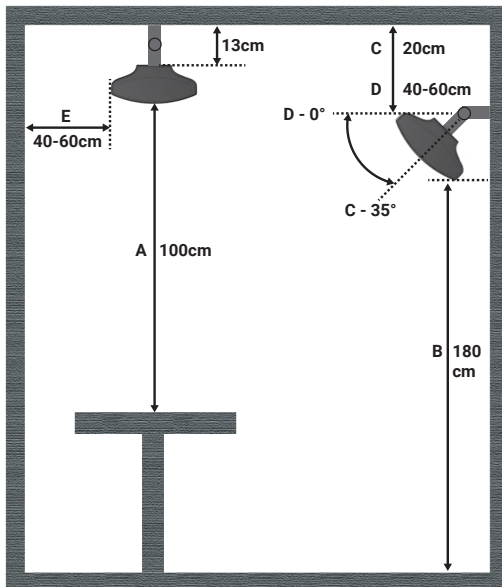
USER MANUAL (EN).....	PAGE 4
ANVÄNDARMANUAL (SV).....	SIDAN 10
BRUKERHÅNDBOK (NO).....	SIDE 16
OHJEKIRJA (FI) .....	SIVU 22
LIETOŠANAS INSTRUKCIJA (LV) .....	LAPPUSE 28
BRUGERVEJLEDNING (DK) .....	SIDE 34
BENUTZERHANDBUCH (DE).....	SEITE 40
MANUEL DE L'UTILISATEUR (FR) .....	PAGINA 46
MANUAL DEL USUARIO (ES).....	PAGE 52

ECO | NOVA | LAVA

F1



F2



	(1) Minimum distance	cm
A	(2) Flammable material	100
B	(3) Floor	180
C	(4) Ceiling min 35° down	20
D	(5) Ceiling < 1800W >1800W	40 60
E	(6) Wall < 1800W >1800W	40 60

	(1)	(2)	(3)	(4)	(5)	(6)
ENGLISH	Min. distance	Flammable material	Floor	Ceiling 35°	Ceiling	Wall
SVENSKA	Minsta avstånd	Brännbart material	Golv	Tak 35°	Tak	Vägg
NORSKA	Minste avstand	Brannfarlig materiale	Gulv	Tak 35°	Tak	Vegg
DANSKA	Min. afstand	Brandfarligt materiale	Etage	Loft 35°	Loft	Væg
FINSKA	Min. etäisyys	Syttyvä materiaali	Lattia	Katto 35°	Katto	Seinä
LATVIAN	Min. attālums	Uzliesmojošs materiāls	Stāvs	Griesti 35°	Griesti	Siena
GERMAN	Mindestabstand	Entflammbares Material	Boden	Decke 35°	Decke	Wand
SPANISH	Distancia minima	Material inflamable	Suelo	Techo 35°	Techo	Pared
FRENCH	Distance minimale	Matériau inflammable	Sol	Plafond 35°	Plafond	Mur
ITALIAN	Distanza minima	Materiale infiammabile	Terra	Soffitto 35°	Soffitto	Muro

F3

**ECO & NOVA**

**LAVA**

F4

**ECO & NOVA**

**LAVA**

**REMOTE**

# Thank you for choosing Opranic!

With the purchase of your new product, you have chosen a modern, high-quality appliance. This manual has been designed for Opranic ECO & NOVA & LAVA series. To ensure safety and best satisfaction, please read this manual carefully before installation and follow the instructions herein. Please store this manual in a secure place for future reference.

For information, please contact your country dealer or importer on <https://opranic.com>

Contact:

Webb: <https://opranic.com>

Email: [info@opranic.com](mailto:info@opranic.com)

Made in Turkey

Manual revision. 3.01

© Opranic 2018

## TABLE OF CONTENTS

1. SAFETY.....	PAGE 5
1.1 SAFETY INSTRUCTION .....	PAGE 5
1.2 SAFETY DISTANCES .....	PAGE 6
1.3 MAINTENANCE AND CLEANING .....	PAGE 6
1.4 WARRANTY .....	PAGE 6
1.5 REPAIR AND SERVICE .....	PAGE 7
2. INSTALLATION .....	PAGE 7
2.1 INSTALLATION INSTRUCTIONS .....	PAGE 7
2.2 INSTALLATION INSTRUCTIONS POSITION + DISTANCE .....	PAGE 7
2.3 INSTALLATION INSTRUCTIONS WITH RIGHT AND WRONG POSITIONS .....	PAGE 7
2.4 CEILING OR VERTICAL MOUNTING .....	PAGE 7
3. OPERATING INSTRUCTIONS .....	PAGE 8
3.1 THERMOSTATIC VERSIONS.....	PAGE 8
3.2 REMOTE CONTROLLED VERSIONS .....	PAGE 8
4. TERMS OF WARRANTY .....	PAGE 9

## 1. SAFETY

### 1.1 SAFETY INSTRUCTION

- Read these instructions carefully before installation and use. Keep this manual for future reference. Check whether your appliance and power cord are damaged before operating your appliance.
- Check if there is any crack, disjoint or scratch on the filament (heating tube). If any, contact your authorized technical service. If your appliance or power cord is damaged, do not operate your appliance and return it to your technical service.
- Make sure that the main electricity circuit is 220-240V and 50-60Hz and the connection is fused. Check the safety of the network.
- The fuse must be minimum, 10A for powers up to 2300W and 16A for powers up to 3680W.
- Do not use your Opranic heater together with another appliance plugged to the same multiple sockets or connected to the same fuse.
- Use your appliance with a properly earthed plug.
- The earthed plug must fall outside heating field and hot surface.
- The device shall not be used below the power socket.
- The power cord must not be left on or around the frame of your Opranic appliance.
- Unplug your appliance when you won't operate it for a long term or will conduct cleaning or maintenance.
- If the device is assembled to spaces such as bathroom, care should be taken to assemble the device so that people having shower cannot contact with the device and control buttons.
- The unit must only be used by people older than 8 years .
- This appliance can be used by children aged from 8 years and above and persons with reduced physical, sensory or mental capabilities or lack of experience and knowledge if they have been given supervision or instruction concerning use of the appliance in a safe way and understand the hazards involved. Children shall not play with the appliance. Cleaning and user maintenance shall not be made by children without supervision.

### 1.2 SAFETY DISTANCES

- Follow figure 2 on page 2 for mounting and safety distances.
- Never install your appliance on a combustible surface (plastics, nylon, carton etc.)
- During operation the surfaces of the unit are hot!
- The unit must not be fully or partially covered with inflammable materials, as overheating can result in a fire risk!
- This product is not designed to be used by children or persons with reduced physical or mental ability or a lack of experience and knowledge, unless instruction regarding the product's use has been given by a person with responsibility for their safety or that this person supervises operation. Children must be kept under supervision to ensure they do not play with the product.

- The heater is equipped with a protective grill to prevent contact or to prevent large objects from touching the hot lamp. The unit must not be used without this protective grill.
- Ensure that there are no inflammable materials gathered on or close to the heater.
- The free space to the inflammable material in the direction of radiation must be at least 1 meter (3 feet).
- The distance to the floor shall be min 1,8 meter.
- Do not place the heater directly under the electrical socket.
- The cable and plug must not be placed inside the hot radiant area.
- Do not stick anything into the protective grid.
- Do not make use of your heater to light up cigarette or similar materials.

### **WARNING – TO REDUCE THE RISK OF FIRE**

1. Do not place any objects such as furniture, papers, cloths, and curtains closer than 1m (3 feet) to the front of the heater and keep them away from the sides and rear when the heater is plugged in.
2. Do not place the heater near a bed because objects such as pillows or blankets can fall off the bed and be ignited by the heater.
3. Always unplug the heater if it is not being used.
4. Avoid the use of an extension cord because the extension cord may overheat and cause a risk of fire. However, if you have to use an extension cord, the cord shall be 2mm (14 AWG) minimum size and rated not less than 10A.
5. Do not operate within 7.6m (25 feet) of flammable material (gasoline, alcohol etc.)
6. Never block the front grill of the heater.
7. Never attempt to service the heater without disconnecting its power source.

### **1.3 MAINTENANCE AND CLEANING**

- Unplug your heater first.
- Never pull your power cable to unplug your heater
- Unplug power cable

When the unit is used for the first time or after a long period of disuse, smoke or odour may result from dust or dirt that has collected on the element. This is completely normal and disappears after a short time. The power supply to the unit must be disconnected during all service, repair and maintenance work. The unit has no moving parts so the maintenance requirement is small, but it must be kept clean and free from dust and dirt. If the reflector is not clean the thermal radiation from the unit will decrease and the heater will become hotter. A large amount of dirt can cause overheating. The surface of the reflector is sensitive and must be cleaned with care. If the reflector is dirty it must be cleaned or replaced by a specialist.

### **1.4 WARRANTY**

The warranty for Opranic Eco, Nova and Lava series is 2 years. Please read the warranty section for terms for the warranty.

### **1.5 REPAIR AND SERVICE**

Attention! Only technical services and persons authorized by Opranic may serve, repair and replace the parts of this heater.

## 2. INSTALLATION

### 2.1 INSTALLATION INSTRUCTIONS

Attention! The appliance must be installed on the solid surfaces like concrete, wood or metal etc. Never install on flammable surfaces! (Plastics, nylon vinyl etc.)

Follow figure 1, 2 and 3 on page 2-3 for mounting and safety distances.

- If your appliance is marked with IP34 or IPX4 or higher it can be mounted in unprotected outdoor areas. See the label on the back of the product for the "IP" mark.
- Drill four holes on the wall to the place where the unit will be installed, with the distances.
- Insert the wall plugs (if needed), supplied with the unit, into the holes.
- Mount two of the L shaped legs on the wall using the screws supplied with the unit. Mount the other L legs on the unit using the four screws and the small wrench as shown in (corresponding nuts are already built in on the body of the unit) picture 1 on page 2.
- Mount and fix the L shape legs on the wall and on the unit respectively, using the bolts and nuts and the washers and tighten.
- Depending on the area to be heated the angle of the unit can be adjusted between 0-40 degrees by the help of M8 Bakelite head bolt and nut fixture.
- The heater can be mounted on the ceiling or wall.  
**Warning! In case of an installation on the ceiling the heater may discolour the surface depending on the surface material.**
- Before operating the unit joints should be checked once again.

### 2.2 INSTALLATION INSTRUCTIONS POSITION + DISTANCE

For minimum safety distances in case of horizontal installations. For minimum distances from coverage area and other objects please see figure 2 on page 2.

### 2.3 INSTALLATION INSTRUCTIONS WITH RIGHT AND WRONG POSITIONS

**DIRECT YOUR HEATER TOWARDS THE MOST APPROPRIATE ANGLE**

See figure 3 on page 3.

Do not let the light go out through the window, glasses etc. as the heater primarily heats the locations onto which its light falls

**Models without "X" in the model description can ONLY be mounted HORIZONTAL!**

Maximum tilt / angle is 5 degrees otherwise the heater will be damaged in a short time.

Models with "X" in the model description like "XT/XR and RX" versions can be mounted in any direction. The power cord outlet shall be in the lowest point when used in vertically or tilted angle.

### 2.4 CEILING OR VERTICAL MOUNTING

**ATTENTION!**

When mounting "R" or "XR" models face down (ceiling) or "XR" models in the vertical direction, the built-in tilt switch has to be de-activated.

To de-activate the electronic tilt switch follow step 1-4;

1. Unplug the power cord.
2. Press and hold the two buttons (see figure F4 on page 3) at the same time.
3. Plug in the power cord (while keeping the two buttons pressed in).
4. Wait for 3-5 seconds until a "beep" sound.

The tilt switch is now de-activated, and the heater can be mounted face down or vertically. To activate the tilt switch, repeat step 1-4.

### 3. OPERATING INSTRUCTIONS

See figure 4 on page 3.

#### 3.1 THERMOSTATIC VERSIONS

Models marked with "T" in the model description:

Thermostat levels can be adjusted according to your comfort. The thermostat switches the power on and off in cycles depending on the temperature of the body of the heater and preferred level setting.

The heater operates constantly when the thermostat is at the highest level. You may reduce the energy consumption by adjusting the thermostat according to your comfort.  
Switching OFF: The appliance must be switched off when the appliance is not operated for long a term, during cleaning, when maintenance is conducted or when the location of the heater is changed. The electricity connection is turned off by unplugging the power cord and adjusting the thermostat in "0" mode.

#### 3.2 REMOTE CONTROLLED VERSIONS

Models marked with "R" in the model description:

1. Point the remote control towards the receiver whilst using it.  
Remote control will not work from a distance when strong lighting or sunlight is present.  
In this case, use the remote control just in front of the control panel.
2. When you select a function with the remote control you will hear a 'beep'.
3. To turn on or off your heater press red button
4. To select heating level press the buttons between 1-5 as per your requirement.

Use two AAA batteries in your remote control .When the remote control is not used for a long period, please remove the batteries to avoid leakage and damage.  
Do not allow water or liquid to get into the remote control.



## 4. TERMS OF WARRANTY

Warranty by Opranic does not cover the defects arising out of improper use of the appliance. The warranty does not cover the situations below:

- The damages and defects arising out of improper use.
- The damages and defects having occurred during the transportation after the delivery of the product to the customer by the company.
- The damages and defects arising out of low or excessive voltage, ungrounded plug usage, faulty electricity systems, operating the appliance in different voltage values other than specified in the instructions.
- The damages and defects arising out of fire and lightening.
- The damages and defects arising out of repairs and maintenance by persons other than Authorized Services.
- The defects arising out of the breach of the instructions in the manual.
- Damages and defects that happen due to shipping for repair.

**Attention! Faulty maintenance and cleaning are not covered by the warranty.**

- The dust and pollutants in the environment.
- Damage in the reflector or filament due to faulty cleaning.
- Faulty installation or dismantlement.
- Operating with damaged filament, frame or power cord.

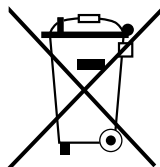
Above mentioned defects and services are not covered by the warranty.

Should this product be proven defective in workmanship or material, the consumer's sole remedies shall be such repair or replacement as provided by the terms of this warranty. Under no circumstances shall Opranic be liable for any loss or damage, direct, consequential, or incidental, arising out of the use of or inability to use this product.

This warranty will be voided if the certificate of warranty lacks the stamp and signature of the supplier as well as the date of purchase.

This warranty will become void if the serial number (if applicable), model number identification, or brand have been wholly or partially removed or erased.

All Opranic brand products have CE certificate



This symbol on the product or its packaging indicates that the appliance cannot be treated as normal domestic trash, but must be handed in at a collection point for recycling electric and electronic appliances.

Your contribution to the correct disposal of this product protects the environment and the health of your fellow men. Health and the environment are endangered by incorrect disposal. Further information about recycling of this product can be obtained from your local town hall, your refuse collection service, or in the store at which you bought the product.

# Tack för ditt val av Opranic!

Med detta köp, har du valt en modern, högkvalitativ värmare. Denna handbok har utformats för Opranic ECO, NOVA & LAVA serier. Läs noga igenom denna bruksanvisning och använd produkten på rätt sätt. Se avsnitt "Säkerhet" Förvara bruksanvisningen på en säker plats för att kunna läsa vid behov.

För mer information kontakta din återförsäljare eller importör i landet.

Kontakt:

Webb: [www.opranic.com](http://www.opranic.com)

E - post: [info@opranic.com](mailto:info@opranic.com)

Tillverkad i Turkiet

Manual Version; 3.01

© Opranic 2018

## INNEHÅLLSFÖRTECKNING

1. SÄKERHET .....	SID 11
1.1 SÄKERHETSINSTRUKTION .....	SID 11
1.2 SÄKERHETSAVSTÅND .....	SID 11
1.3 UNDERHÅLL OCH RENGÖRINGSINSTRUKTIONER .....	SID 12
1.4 GARANTI .....	SID 12
1.5 REPARATION OCH SERVICE .....	SID 12
2. INSTALLATION .....	SID 13
2.1 INSTALLATIONSANVISNINGER .....	SID 13
2.2 INSTALLATIONSINSTRUKTIONER POSITION + AVSTÅND .....	SID 13
2.3 INSTALLATIONSINSTRUKTIONER MED RÄTT OCH FEL POSITIONER .....	SID 13
2.4 TAK ELLER VERTIKAL MONTERING .....	SID 13
3. BRUKSANVISNING .....	SID 14
3.1 TERMOSTATVERSION .....	SID 14
3.2 FJÄRRSTYRD VERSIONEN .....	SID 14
4. GARANTIVILLKOR .....	SID 15

# 1. SÄKERHET

## 1.1 SÄKERHETSINSTRUKTION

Läs dessa instruktioner noggrant före installation och användning. Spara bruksanvisningen för framtida behov.

Kontrollera om din apparat är hel och att strömkabeln inte är skadad innan du använder apparaten. Kontrollera så det inte finns någon spricka eller dylikt på glödtråden (värmeröret). Om det finns defekter på röret kontakta din återförsäljare för teknisk service. Om din apparat eller nätsladden är skadad, eller om apparaten inte fungerar, returnera den för teknisk service hos din återförsäljare. Apparaten ska anslutas till 220-240V jordat nätuttag på 50-60Hz säkrad till minst 10A för effekter upp till 2300W och 16A för effekter upp till 3600W.

- Använd inte Opranic värmare tillsammans med en annan apparat ansluten till samma multikontakt eller att den är ansluten till samma säkring.
- Använd din apparat med en godkänd jordad stickpropp.
- Den jordade stickproppen får ej sitta nära uppvärmningsfält eller varma ytor.
- Enheten får inte användas direkt under eluttaget.
- Nätkabeln får inte lämnas på eller runt chassit på din Opranic värmare.
- Koppla ur apparaten när du inte kommer att använda den under en längre tid eller om du kommer att genomföra en rengöring eller ett underhåll.
- Om enheten är monterad i utrymmen såsom badrum, bör försiktighet iakttas för att montera enheten så att människor inte kan komma i kontakt med enheten eller kontrollknapparna.
- Enheten får endast användas av personer äldre än 8år.
- Barn från 8 år eller över och personer, som har begränsade fysiska, sensoriska och mentala egenskaper eller som inte har tillräckliga erfarenheter eller fackkunskaper får endast använda apparaten om de övervakas och de har skolats att använda apparaten säkert och de förstår de faror som kan uppstå. Barn får ej leka med apparaten. Barn får inte utföra rengöring eller serviceåtgärder utan övervakning.

## 1.2 SÄKERHETSAVSTÅND

- Följ figur 2 på sida 2 för montering och säkerhetsavstånd.
- Installera aldrig apparaten på ett brännbart underlag (plast, nylon, kartong etc.)
- Under drift är ytorna på enheten heta!
- Enheten får inte helt eller delvis täckas med brännbara material, eftersom överhettning kan resultera i brandrisk!
- Värmaren är utrustad med ett skyddsgaller för att förhindra kontakt eller för att förhindra stora föremål att vidröra den heta värmelampan.
- Enheten får inte användas utan detta skyddsgaller.
- Se till att det inte finns några brännbara material som samlats på eller nära värmaren.
- Avståndet till brännbart material i strålningsriktningen skall vara minst 1 meter.
- Minsta installationshöjd är 1,8 meter från marken / golvet.
- Placera inte värmaren direkt under eluttaget.
- Kabeln och stickproppen får inte placeras 1m inom strålningsområdet.
- Sätt inte fast något i skyddsnetet.

- Använd inte värmaren för att tända en cigarett eller liknande.

#### **VARNING - FÖR ATT MINSKA RISKEN FÖR BRAND**

- Placera inga föremål som möbler, papper, dukar och gardiner närmare än 1 meter (3 fot) på framsidan av värmaren och håll dem borta från sidorna och även direkt bakom värmaren när den är påslagen.
- Placera inte aggregatet nära en säng eftersom föremål såsom kuddar eller filter kan ramla av sängen och antändas av värmaren.
- Dra ur kontakten till värmaren om den inte används.
- Undvik att använda en förlängningssladd eftersom överhettning i kabeln och orsaka en risk för brand. Men om du måste använda en förlängningssladd, ska sladden vara 2mm (14 AWG) minsta storlek och betygssatt för lägst 10A.
- Använd inte värmaren närmare än 7,6 meter (25 fot) nära brännbart material (bensin, alkohol etc.)
- Blockera aldrig det främre gallret på värmaren.
- Försök aldrig att utföra service av värmaren utan att koppla ur värmaren från strömkällan.

#### **1.3 UNDERHÅLL OCH RENGÖRINGSINSTRUKTIONER**

- Koppla alltid ut värmaren först. Dra aldrig i nätsladden när du ska koppla ur värmaren.
- Se till att värmaren är urkopplad innan du utför service eller underhåll.
- När enheten används för första gången eller efter ett långt uppehåll, kan rök eller lukt förekomma som resultat av att damm och smuts som har samlats på elementet. Detta är helt normalt och försvinner efter en kort tid.
- Nätaggregatet till enheten måste kopplas ur under all service, reparations- och underhållsarbeten. Enheten har inga rörliga delar så att underhållsbehovet är litet men den måste hållas rena och fria från damm och smuts. Om reflektorn inte rengörs kan värmestrålningen från enheten minska och värmaren blir hetare.
- En stor mängd smuts kan orsaka överhettning. Ytan av reflektorn är känslig och måste rengöras med omsorg.
- Om reflektorn är smutsig och måste rengöras eller ersättas, ska detta utföras av en servicetekniker.

#### **1.4 GARANTI**

Garantin för Opranic Eco, Nova och Lava serien är 2 år. Läs garantisektionen för villkor för garantin.

#### **1.5 REPARATION OCH SERVICE**

**OBSERVERA!** Endast behörig personal av Opranic utsedd kan reparera och ersätta delar i denna värmare

## 2. INSTALLATION

### 2.1 INSTALLATIONSANVISNINGAR

Observera! Apparaten måste installeras på fasta ytor som betong, trä eller metall etc. Installera aldrig på brännbara ytor! (Plast, nylon vinyl etc.)

Montera enligt placeringsanvisningarna figur 1, 2 och 3 på sida 2-3.

- Om din apparat är märkt med IP34 eller IPX4 eller högre kan den monteras i oskyddade utomhusområden. Se etiketten på baksidan av produkten för "IP" -markeringen.
- Borra fyra hål på väggen på den plats där enheten ska installeras som passar hålen på de L formade monteringsblecken.
- Sätt i medföljande pluggar (om det behövs), som medföljer enheten, i hålen.
- Montera två av dem L formade benen på väggen med hjälp av medföljande skruvar.
- Montera de andra L benen på enheten med hjälp av de fyra medföljande skruvarna.
- Montera och fixera L form benen på väggen och på enheten och använd bultar och muttrar och brickor och dra åt.
- Beroende på området som ska värmas kan enheten justeras mellan 0-45 grader.
- Värmaren kan monteras i taket.

**Varning! Vid en installation i taket kan värmaren missfärga ytan i taket beroende på ytmaterial.**

- Innan du använder enheten bör du kontrollera allt ytterligare en gång.

### 2.2 INSTALLATIONSINSTRUKTIONER POSITION OCH AVSTÅND

För minsta säkerhetsavstånd gällande horisontella installationer. För minimumavstånd från täckningsområde och andra föremål se figur 2 på sid 2.

### 2.3 INSTALLATIONSANVISNINGAR MED RÄTT OCH FEL LÄGEN

Rikta din VÄRMARE till den lämpligaste vinkeln. Rikta inte värmaren direkt mot ett fönster, glas eller spegel etc. då värmaren främst värmer platserna på vilken dess värmestrålar faller. **OBS: Opranic produkter märkta UTAN "X" i modell betäckning kan ENDAST användas horisontellt! Maximal lutning/vinkel är 5 grader. Lutning på mer än 5 grader kan värmeröret skadas på kort tid.**

Opranic produkter märkta MED "X" i modell betäckning t.ex. XT och XR modeller KAN användas horisontellt och vertikalt. Nätsladden skall vara i den nedersta punkten vid montering vertikalt eller i lutande vinkel.

Se figur 3 på sida 3.

### 2.4 TAK ELLER VERTIKAL MONTERING

**OBSERVERA!** Vid montering av "R" eller "XR" modell i riktning nedåt (ex. takmontering) eller "XR" -modell i vertikal riktning måste den elektroniska brytaren avaktiveras.

För att avaktivera den elektroniska brytaren följ steg 1-4;

1. Koppla ur nätsladden.
2. Tryck in de två knapparna (se bild F4 på sidan 3) samtidigt.
3. Anslut nätsladden (samtidigt som de båda knapparna trycks in).
4. Vänta i 3-5 sekunder tills ett "pip" ljud hörs.

Elektroniska brytaren är nu avaktiverad, och värmaren kan monteras i riktning nedåt eller vertikalt.

För att aktivera den elektroniska brytaren, upprepa steg 1-4.

## 3. BRUKSANVISNING

### 3.1 TERMOSTATVERSION "T" STÅR FÖR TERMOSTATSTYRD

Du kan justera termostaten för att uppnå rätt temperatur.

Termostaten kopplar på och av strömmen i cykler beroende på temperaturen på chassit/höljet av värmaren och vald nivåinställning. Värmaren fungerar ständigt när termostaten är på högsta nivån. Du kan minska energiförbrukningen genom att justera termostaten.

Stäng AV

När apparaten inte används under lång tid eller rengöring eller underhåll ska utföras eller att värmaren ska flyttas, vrid ner termostaten till "0" läge och dra sedan ur kontakten.

### 3.2 FJÄRRSTYRD VERSIONEN "R" STÅR FÖR FJÄRRSTYRD

- Rikta fjärrkontrollen mot mottagaren när du ska styra infravärmaren. Fjärrkontrollen fungerar inte på långa avstånd, stark belysning eller i direkt solljus. Om så, använd fjärrkontrollen precis framför kontrollpanelen.
- När du väljer en funktion med fjärrkontrollen hörs ett "pip".
- Om du vill slå på eller stänga din värmare tryck röd knapp
- För att välja uppvärmningsnivå trycker på knapparna mellan 1-5 enligt dina krav.
- Använd två AAA-batterier i fjärrkontrollen .När fjärrkontrollen inte används under en längre tid, vänligen ta ur batterierna för att undvika läckage och skador.
- Låt inte vatten eller annan vätska komma in i fjärrkontrollen.

## 4. GARANTIVILLKOR

Garanti från Opranic täcker inte fel som uppstår vid felaktig användning av apparaten.

Garantin täcker inte de situationerna nedan:

De skador och defekter till följd av felaktig användning.

De skador och defekter som inträffat under transporten efter leverans av produkten till kunden av företaget.

De skador och defekter som följer av låg eller hög spänning, ojordat eluttag felaktiga system el, drift av apparaten i olika spänning än värden som anges i instruktionerna.

De skador och defekter som följer av brand och blixtnedslag.

De skador och defekter som följer av reparationer och underhåll av andra än auktoriserade service personal.

De defekter som följer av brott mot instruktionerna i manualen.

De skador och defekter som uppstår vid transport av produkten i stället för reparation.

**Observera! Bristfälligt underhåll och rengöring omfattas inte av garantin.**

Damm och föroreningar i miljön.

Skador på reflektorn eller filament på grund av felaktig rengöring.

En felaktig installation eller rivning.

Drift med skadad filament, ram eller nätsladd.

Ovan nämnda defekter och tjänster omfattas inte av garantin.

Om denna produkt bevisat vara defekt i utförande eller material, skall den repareras eller utbytas enligt villkoren i denna garanti. Under inga omständigheter ska Opranic vara ansvariga för någon förlust eller skada, direkt, följskador, eller tillfällig, som härrör från användning av eller oförmåga att använda denna produkt.

Garantin gäller ej om giltigt inköpskvitto saknas.

Denna garanti blir ogiltig om serienumret (i förekommande fall), modellnummer identifiering, eller varumärke har helt eller delvis avlägsnas eller raderas.

Alla Opranic märkesvaror har CE-certifikat



Denna symbol på produkten eller emballaget anger att apparaten inte kan behandlas som vanligt hushållsavfall, utan måste lämnas in på uppsamlingsplats för återvinning av elektroniska apparater.

Ditt bidrag till en korrekt avfallshantering av denna produkt skyddar miljön och

hälsan hos dina medmänniskor. Hälsa och miljö hotas av felaktig avfallshantering.

Mer information om återvinning av denna produkt kan erhållas från din kommun eller renhållningstjänst, eller i butiken där du köpte produkten.

## Takk for at du har valgt Opranic!

Da du kjøpte dette produktet, valgte du et moderne apparat med høy kvalitet. Denne håndboken er utformet for Opranic ECO, NOVA & LAVA serie. Du har kjøpt en effektiv og original Opranic-IR infrarød varmeovn av høy kvalitet. Les denne bruksanvisningen nøye for å kunne bruke denne varmeovnen på en tilfredsstillende måte. Sørg for at du leser «Sikkerhet» på forhånd, og at du bruker produktet riktig. Oppbevar denne brukerhåndboken på et trygt sted for fremtidig referanse så den er klar ved behov.

For informasjon kan du kontakte forhandleren eller importøren i det landet der du bor på.

### Kontakt:

Nettet: [www.opranic.com](http://www.opranic.com)

E - post: [info@opranic.com](mailto:info@opranic.com)

Produsert i Tyrkia

Ver. 3.01

© Opranic 2018

### NORSK DISTRIBUTØR:

Bedre Inneklima AS

TLF 33 47 01 00

[www.bedre-inneklima.no](http://www.bedre-inneklima.no)

## INNHOLDSFORTEGNELSE

1. SIKKERHET .....	SIDE 17
1.1 SIKKERHETSANVISNINGER.....	SIDE 17
1.2 SIKKERHETSAVSTANDER.....	SIDE 17
1.3 ANVISNINGER FOR RENGJØRING OG VEDLIKEHOLD.....	SIDE 18
1.4 GARANTI .....	SIDE 18
1.5 REPARASJON OG SERVICE.....	SIDE 18
2. INSTALLASJON.....	SIDE 19
2.1 INSTALLASJONSANVISNINGER.....	SIDE 19
2.2 INSTALLASJONSANVISNINGER POSISJON + DISTANSE .....	SIDE 19
2.3 INSTALLASJONSANVISNINGER MED RIKTIGE OG URIKTIGE POSISJONER.....	SIDE 19
2.4 MONTERING I TAK ELLER VERTIKALT .....	SIDE 19
3. BRUKSANVISNING .....	SIDE 20
4. GARANTIBETINGELSER.....	SIDE 21



# 1. SIKKERHET

## 1.1 SIKKERHETSANVISNINGER

Les bruksanvisningen nøye før installasjon og bruk. Oppbevar denne håndboken for fremtidig referanse.

Kontroller om apparatet og strømkabelen er skadet før du tar i bruk apparatet. Sjekk om det er sprekker, avringer eller riper ripe på varmerøret. Hvis man finner tegn til dette, ta kontakt med en autorisert serviceavdeling. Hvis apparatet eller strømledningen er skadet, må du ikke bruke apparatet, men sende det tilbake til teknisk serviceavdeling. Kontroller at hovedstrømtilførselen er 220-240 og 50-60 Hz, og tilkoblingen er sikret. Kontroller sikkerheten til strømnettet. Sikringen må være minimum 10A for effekter opptil 2300W og 16A for effekter opptil 3600W.

- Ikke bruk apparatet hvis det er andre apparater koblet til den samme multistikkontakt, eller til samme sikring.
- Bruk apparatet med korrekt jordet støpsel.
- Det jordede støpslet må befinne seg utenfor oppvarmingsområdet og borte fra den varme overflaten.
- Apparatet må ikke brukes rett under veggkontakten.
- Strømledningen må ikke bli lagt på eller omkring rammen til Opranic-apparatet.
- Koble fra apparatet når du ikke vil bruke det på en stund, og når du vil gjøre det rent eller utføre vedlikehold
- Hvis enheten monteres på steder som for eksempel bad, må man være varsom så det monteres slik man ikke kan komme i kontakt med apparatet eller kontrollknappene mens man dusjer.
- Enheten må bare brukes av personer som er eldre enn 8 år.
- Barn i alderen 8 eller over og folk som har begrenset fysiske, sensoriske og mentale egenskaper eller ikke har tilstrekkelig erfaring eller kompetanse kan bare bruke apparatet hvis de har tilsyn under bruken, og de har blitt opplært til å bruke utstyret trygt og de forstår farene som kan oppstå . Barn må ikke leke med apparatet . Barn skal ikke utføre rengjøring eller vedlikehold uten tilsyn.

## 1.2 SIKKERHETSAVSTANDER

- Installer aldri apparatet på et brennbart underlag (plast, nylon, kartong osv)
- Følg figur 2 på side 2 for installasjons- og sikkerhetsavstander.
- Minste installasjonshøyde er 1,8 meter fra bakken / gulvet.
- Ved bruk vil overflatene på enheten bli svært varme!
- Enheten må ikke være helt eller delvis dekket med brennbare materialer, fordi overoppheting kan gi brannrisiko!
- Varmeovnen har en beskyttende rist for å unngå kontakt, og for å hindre at store objekter berører varmelampen. Apparatet må ikke brukes uten denne eskyttende risten.
- Pass på at det ikke finnes antennbare materialer på, eller i nærheten av ovnen.
- Det må være et åpent område i stråleretningen til apparatet på minst 1 meter.
- Ikke plasser varmeovnen direkte under stikkkontakten.
- Kabelen og støpselet må ikke plasseres inne i det varme stråleområdet.
- Ikke stikk noe inn beskyttelsesristen.
- Ikke bruk varmeovnen til å tenne sigaretter eller lignende.

## ADVARSEL - BRANNFØREBYGGENDE TILTAK

- Ikke plasser gjenstander som møbler, papirer, tøy, og gardiner nærmere enn 1 m (3 fot) fra fronten av varmeovnen, og holde slike ting borte fra sidene og baksiden også, når varmeapparatet er plugget i.
- Ikke plasser ovnen i nærheten av senger fordi gjenstander som puter eller tepper kan falle ut av sengen og antennes av varmeapparatet.
- Trekk alltid ut varmeapparatet hvis det ikke er i bruk.
- Unngå bruk av skjøteledning fordi, skjøteledningen kan bli overopphetet og gi risiko for brann. Men hvis du allikevel må bruke en skjøteledning, må tverrsnittet på ledningen være minst 2 mm (14 AWG) , og ikke klassifisert lavere enn 10A.
- Ikke bruk innenfor 7,6 m (25 fot) fra brennbart materiale (bensin, alkohol osv.)
- Blokker aldri risten foran på varmeovnen.
- Forsøk aldri å vedlikeholde varmeovnen uten å koble fra strømkilden.

### 1.3 ANVISNINGER FOR RENGJØRING OG VEDLIKEHOLD

- Trekk først ut støpslet til varmeovnen. Trekk aldri i strømkabelen å koble ovnen fra strømforsyningen.
- Trekk aldri i strømkabelen å koble ovnen fra strømforsyningen
- Trekk ut strømkabelen
- Når apparatet brukes for første gang, eller etter en lang periode uten bruk, kan røyk eller lukt som oppstår skyldes støv eller skitt som har samlet på elementet. Dette er helt normalt og forsvinner etter kort tid. Strømtilførselen til apparatet må være frakoblet under alt service-, reparasjons- og vedlikeholdsarbeid. Apparatet har ingen bevegelige deler, så behovet for vedlikehold er lite, men det må holdes rent og fri for støv og skitt.
- Hvis reflektoren ikke er ren, vil varmeutstrålingen fra apparatet reduseres, og varmeovnen selv vil bli varmere. En stor mengde skitt kan føre til overoppheting. Overflaten til reflektoren er følsomt og må rengjøres varsomt. Hvis reflektoren er skitten, må den rengjøres eller erstattes av en spesialist.

### 1.4 GARANTI

Varigheten til garanti for Opranic Nova- og Lava-seriene er 2 år. Les garanti-avsnittet for å se vilkårene for garantien.

### 1.5 REPARASJON OG SERVICE

Advarsel! Kun teknisk assistanse og personer som er autorisert av Opranic kan utføre service, reparere og erstatte deler på denne varmeovnen.

## 2. INSTALLASJON

### 2.1 INSTALLASJONSANVISNINGER

**Advarsel! Apparatet må installeres på solide overflater som betong, tre eller metall osv. Må aldri installeres på brennbare overflater! (Plast, nylon, vinyl osv.)**

- Monter i henhold til plasseringsinstruksjonene Figur 1, 2 og 3 på side 2-3.
- Borr fire hull på veggen på det stedet der enheten vil bli installert som passer hullene i L-formet monteringsbrakettene.
- Sett veggplugg (om nødvendig), som leveres med apparatet, i hullene.
- Monter to av L-formede brakettene på veggen, med skruene som følger med enheten.
- Monter de andre L-brakettene med de seks skruene og den lille skiftenøkkelen, som vist i (de tilsvarende mutterne er allerede bygget inn i enheten)
- Monter og fest de L-formede brakettene på veggen og på apparatet, ved hjelp av skruer, skiver og muttere, og stram så til.
- Avhengig av området som skal varmes opp, kan vinkelen på enheten justeres fra 0-45 grader ved hjelp av bolt med bakelitthode og mutterfeste.
- Varmeovnen kan monteres i taket.
- Advarsel! Ved installasjon i taket kan varmeovnen misfarge takoverflaten, avhengig av overflatematerialet.
- Før du bruker apparatet bør festene sjekkes igjen.

### 2.2 INSTALLASJONSANVISNINGER POSISJON + DISTANSE

Minimum sikkerhetsavstander ved horisontale installasjoner. For minimumsavstander fra dekningsområdet og andre objekter, se figur 2 på side 2.

### 2.3 INSTALLASJONSANVISNINGER MED RIKTIGE OG URIKTIGE POSISJONER

#### RETT VARMEOVNEN INN I DEN BEST EGNEDE VINKELN

- Ikke rett lyset ut gjennom vinduet, glass og lignende fordi varmeapparatet først og fremst varmer områder der lyset rettes.
- Se figur 3 på side 3.

**MERK: Opranic Produkter merket uten "X" i modell dekker kan KUN brukes horisontalt!**

- Maksimal helling / vinkel er 5°. Helling på mer enn 5 grader, varmeapparatet rør skade på kort tid.
- Opranic Produkter som er merket med "X" i den modell som dekker f.eks XT og XR modellene kan brukes horisontalt og vertikalt. Strømledningen må være i det laveste punkt ved montering vertikalt eller i en skrå vinkel.

### 2.4 MONTERING I TAK ELLER VERTIKALT

**ADVARSEL!** Ved montering av "R" eller "XR" modeller med forsiden ned (takmontering) eller "XR" modeller vertikalt, må den innebygde vippebryteren deaktiveres.

Følg trinn 1-4 for å deaktivere den elektroniske vippebryteren.

1. Koble fra strømledningen.
2. Trykk og hold de to knappene samtidig (se figur F4 på side 3).
3. Koble til strømledningen (mens du holder de to tastene trykket inn).
4. Vent i 3-5 sekunder til du hører et "pip".

Veltebryteren er nå frakoblet og varmeren kan monteres med forsiden ned eller vertikalt. For å aktivere vippebryteren igjen, gjenta trinn 1-4.

### 3. BRUKSANVISNING

#### TERMOSTATVERSJON "T" STÅR FOR TERMOSTATKONTROLLERT

Du kan deretter justere termostatnivå i henhold til ditt behov. Termostaten kobler inn og ut i sykluser avhengig av temperaturen av chassiset til varmeren og utvalgte nivå. Varmeovnen fungerer kontinuerlig når termostaten er på høyeste nivå.

Du kan redusere strømforbruket ved å justere termostaten i henhold til ditt behov  
Slå AV

Når apparatet ikke er i bruk over lengre tid, når rengjøring og vedlikehold utføres, eller når man plasserer varmeovnen på et nytt sted, må strømmen kobles fra ved å trekke ut kontakten og justere termostaten til "0" .

#### VERSJON MED FJERNKONTROLL

Den "R" står for Remote Controlled)

- Rett fjernkontrollen mot mottakeren mens du bruker den. Fjernkontrollen virker ikke på avstand Når sollyset sterk belysning eller er til stede. I dette tilfellet bruker fjernkontrollen rett foran kontrollpanelet.
- Når du velger en funksjon med fjernkontrollen vil du høre et "pip".
- For å slå av eller på ovnen trykke på den røde knappen.
- For å velge nivå oppvarming trykker på knappene mellom 1-5 som per kravet.

Bruk to AAA-batterier i fjernkontrollen. Når fjernkontrollen ikke brukes over en lengre periode, må du fjerne batteriene for å unngå lekkasje og skader.

Ikke la vann eller væske for å komme inn i fjernkontrollen.

## 4. GARANTIBETINGELSER

Opranics garanti vil ikke dekke defekter som oppstår på grunn av feil bruk av apparatet. Garantien dekker ikke situasjonene beskrevet under:

- Skader og defekter som oppstår som følge av feil bruk.
- Skadene og mangler som har oppstått under transporten etter levering av produktet til kunden fra selskapet.
- De skader og defekter som oppstår som følge av for lav eller høy spenning, bruk av ujordet kontakt, defekter i strømforsyningen, bruk av apparatet i ved andre spenningsverdier enn de som er beskrevet i bruksanvisningen.
- Skader og defekter som oppstår som følge av brann eller lynnedslag.
- Skader og defekter som oppstår som følge av reparasjoner og vedlikehold utført av personer som ikke er autoriserte.
- Defekter som oppstår som følge av brudd på anvisningene i håndboken.
- Skader og defekter som oppstår som følge av transport av produktet, istedenfor reparasjon.

**Advarsel! Mangelfullt vedlikehold og renhold er ikke dekket av garantien.**

- Støvet og forurensende stoffer i miljøet.
- Skader på reflektoren eller filamentet på grunn av feil rengjøring.
- Feilaktig installasjon eller demontering.
- Bruk når varmerøret, rammen eller strømledningen er ødelagt.

De overnevnte defektene og servicen er ikke dekket av garantien.

Skulle dette produktet påvises å være defekte i utførelse eller materiale, skal forbrukerens eneste erstatning komme i form av reparasjon eller erstatning, som fastsatt av vilkårene i denne garantien. Opranic skal ikke under noen omstendighet være ansvarlig for eventuelle tap eller skader, direkte, påfølgende eller tilfældige, som oppstår som følge av bruk av eller manglende evne til å bruke dette produktet.

Denne garantien blir ugyldig dersom garantisertifikatet mangler stempel og underskrift av leverandør, samt kjøpsdato.

Denne garantien vil bli ugyldig dersom serienummeret (hvis aktuelt), modellidentifikasjon, eller merket er blitt helt eller delvis fjernet eller slettet.

Alle Opranics merker er CE-merket



Dette symbolet på produktet eller emballasjen indikerer at apparatet ikke kan behandles som vanlig husholdningsavfall, men må leveres til et mottak for gjenvinning av elektriske og elektroniske apparater. Ditt bidrag til riktig avhending av dette produktet vil beskytte miljøet og helsen til dine medmennesker.

Helse og miljø blir truet ved feil avhending av avfall. Ytterligere informasjon om gjenvinning av dette produktet kan innhentes hos kommunen, avfallsselskapet, eller i butikken der du kjøpte produktet.

## Kiitos, että valitsit Opranicin!

Ostamasi uusi laite on moderni ja laadukas. Tämä ohjekirja on suunniteltu Opranic ECO, NOVA & LAVA -sarja . Olet hankkinut laadukkaan, tehokkaan ja alkuperäisen Opranic-IR-infrapunalämmittimen. Lue tämä ohjekirja huolellisesti, jotta voit olla jatkuvasti tyytyväinen laitteeseen. Lue turvaohjeet etukäteen ja käytä tuotetta oikein.

Pidä tämä ohjekirja turvallisessa paikassa myöhempää käyttöä ja kiireellisiä tarpeita varten. Saat lisätietoja ottamalla yhteyttä maasi jälleenmyyjään tai maahantuojaan.

Yhteystiedot :

Web : [www.opranic.com](http://www.opranic.com)

e - mail : [info@opranic.com](mailto:info@opranic.com)

Valmistettu Turkissa

Ver. 3.01

© Opranic 2018

## SISÄLLYSLUETTEL

1. TURVALLISUUS .....	SIVU 23
1.1 TURVAOHJE .....	SIVU 23
1.2 ASENNUKSEN TURVAETÄISYYDET, KORKEA LÄMPÖTILA JA PALOSUOJELU .....	SIVU 23
1.3 HUOLTO- JA PUHDISTUSOHJEET .....	SIVU 24
1.4 TAKUU .....	SIVU 24
1.5 KORJAUS JA HUOLTO .....	SIVU 24
2. ASENNUS .....	SIVU 25
2.1 ASENNUSOHJEET .....	SIVU 25
2.2 ASENNUSOHJEET, SIJAINTI JA ETÄISYYS .....	SIVU 25
2.3 ASENNUSOHJEET OIKEILLA JA VÄÄRILLÄ SIJAINNEILLA .....	SIVU 25
2.4 KATTOMUUS TAI VERTIKALENTAMINEN .....	SIVU 25
3. KÄYTTÖOHJEET .....	SIVU 26
4. TAKUUEHDOT .....	SIVU 27

# 1. TURVALLISUUS

## 1.1 TURVAOHJE

Lue nämä ohjeet huolellisesti ennen asennusta ja käyttöä. Säilytä tämä ohjekirja tulevaa tarvetta varten.

Tarkista, että laite ja virtajohto eivät ole vahingoittuneet, ennen kuin käytät laitetta. Tarkista onko kuidussa (lämmitysputki) halkeamia, repeämiä tai naarmuja. Jos niitä on, ota yhteyttä valtuutettuun tekniseen palveluun. Jos laite tai virtajohto on vaurioitunut, älä käytä laitetta, vaan palauta se tekniseen huoltoon. Varmista, että päävirtapiiri on 220-240 V ja 50-60 Hz ja että liitäntä on varustettu sulakkeella.

Tarkista sähköverkon turvallisuus. Sulakkeen on oltava mallista 10A n tehoksi jopa 2300 W: n ja 16A: n tehoksi jopa 3600 W: n tehoihin.

Älä käytä Opranic-lämmitintä yhdessä toisen laitteen kanssa, joka on kytketty samaan monijakopistorasiaan tai samaan sulakkeeseen.

- Käytä laitetta oikein maadoitetulla pistokkeella.
- Maadoitetun pistokkeen pitää olla lämmityskentän ja kuuman pinnan ulkopuolella.
- Laitetta ei saa käyttää pistorasian alapuolella.
- Virtajohtoa ei saa jättää Opranic-laitteen kehikon päälle tai ulkopuolelle.
- Irrota laite pistorasiasta, kun et käytä sitä pitkään aikaan tai puhdistusta tai huoltoa varten.
- Jos laite asennetaan esimerkiksi kylpyhuoneeseen, laite on asennettava niin, että suihkussa olevat ihmiset eivät voi koskettaa laitteeseen ja sen ohjauspainikkeisiin.
- Laite saa käyttää vain ihmisten yli 8 vuotta .
- Lasten ikä 8 tai yli ja ihmisiä, jotka ovat rajallinen fyysinen ja henkiset kyvyt tai ei ole riittävästi kokemusta tai asiantuntemusta voi käyttäälaitetta vain, jos ne valvookäyttöä ja ne on koulutettu käyttämäänlaitteita turvallisesti ja he ymmärtävätvaarat joita saattaa syntyä . Lapset eivät saa leikkiä laitteella . Lapset eivät saa suorittaa puhdistusta tai huolto vartioimatta.

## 1.2 ASENNUKSEN TURVAETÄISYYDET, KORKEA LÄMPÖTILA JA PALOSUOJELU

- Älä asenna laitetta palavien pintojen päälle (muovit, nailon, kartonki jne.)
- Seuraa sivun 2 kuvassa 2 asennus- ja turvaetäisyydet.
- Asennuskorkeus on 1,8 metriä maanpinnasta / lattiasta.
- Laitteen pinnat ovat kuumia käytön aikana!
- Laitetta ei saa peittää kokonaan tai osittain syttyvillä materiaaleilla, koska ylikuumeneminen voi aiheuttaa palovaaran!
- Tätä tuotetta ei ole tarkoitettu käytettäväksi lapsille tai henkilöille, joilla on alentunut fyysinen tai psyykinen kyky tai puutteellinen kokemus ja taito, ellei laitteen käytössä ole opastanut henkilö, joka on vastuussa kyseisten henkilöiden turvallisuudesta tai joka valvoo toimintaa. On valvottava, että lapset eivät leiki tuotteella.
- Lämmitin on varustettu suojaritilällä, joka estää kosketuksen tai estää suuria esineitä koskettamasta kuumaa lamppua. Laitetta ei saa käyttää ilman suojaritilää.
- Varmista, ettei syttyviä materiaaleja ole lämmittimen päällä tai lähellä.
- Lämpösäteilyn suunnan ja syttyvän materiaalin välinen minimietäisyys on 1 metri.
- Älä sijoita lämmitintä suoraan pistorasian alle.

- Kaapelia ja pistoketta ei saa sijoittaa kuuman lämpösäteilyalueen sisälle.
- Älä kiinnitä mitään suojaritilään.
- Älä käytä lämmitintä savukkeiden tai vastaavien materiaalien sytyttämiseen.

#### **VAROITUS – TULIPALOVAARAN VÄHENTÄMISEKSI**

- Älä aseta mitään esineitä, kuten huonekaluja, paperia, liinoja tai verhoja alle 1 m etäisyydelle lämmittimen etuosasta ja pidä esineet poissa lämmittimen sivuilta ja takaosasta, kun lämmitin on kytketty pistorasiiaan.
- Älä sijoita lämmitintä lähelle sänkyä koska esineet, kuten tyynyt tai huovat, voivat pudota pois sängystä ja lämmitin voi sytyttää ne palamaan.
- Irrota lämmitin aina pistorasiasta, jos sitä ei käytetä.
- Vältä jatkojohdon käyttöä koska jatkojohto voi ylikuumentua ja aiheuttaa palovaaran. Jos joudut kuitenkin käyttämään jatkojohtoa, johdon vähimmäiskoko pitää olla 2 mm (14 AWG) ja kaapelin arvon pitää olla vähintään 10 A.
- Älä käytä lämmitintä 7,6 m lähempänä syttyivistä aineista (bensini, alkoholi jne.)
- Älä koskaan tuki lämmittimen ritilän etuosaa.
- Älä koskaan yritä huoltaa lämmitintä irrottamatta sitä virtalähteestä.

### **1.3 HUOLTO- JA PUHDISTUSOHJEET**

- Irrota lämmittimen pistoke ensin pistorasiasta. Älä koskaan irrota pistoketta vetämällä virtajohtosta.
- Älä koskaan irrota lämmittimen pistoketta pistorasiasta vetämällä virtajohtosta.
- Irrota virtajohto. Kun laitetta käytetään ensimmäisen kerran tai pitkän käyttötouon jälkeen, lämmityselementtiin kerääntynyt pöly tai lika voi aiheuttaa savua tai hajua. Tämä on täysin normaalia ja häviää hetken kuluttua. Laitteen virtalähde pitää irrottaa huolto-, korjaus- ja ylläpitotöiden aikana. Laitteessa ei ole liikkuvia osia, joten huollon tarve on pieni, mutta laite on pidettävä puhtaana ja vapaana pölystä ja liasta. Jos heijastinosa ei ole puhdas, laitteen lämpösäteily heikkenee ja lämmitin kuumenee. Suuri määrä likaa voi aiheuttaa ylikuumentumisen. Heijastinosan pinta on herkkä ja se pitää puhdistaa huolellisesti. Jos heijastinosa on likainen se on puhdistettava tai ammattilaisen pitää vaihtaa se.

### **1.4 TAKUU**

Opranic Nova- ja Lava-sarjan takuu on 2 vuotta. Lue takuehtojen takuuosio.

### **1.5 KORJAUS JA HUOLTO**

Huomio! Vain tekninen tuki ja Opranicin valtuuttamat henkilöt voivat huoltaa, korjata ja vaihtaa tämän lämmittimen osia.



## 2. ASENUS

### 2.1 ASENUSOHJEET

Huomio! Laite tulee asentaa kiinteille pinnoille, kuten betonille, puulle tai metallille. Älä koskaan asenna syttyvien pintojen päälle! (Muovit, nailon, vinyyli jne.)

- Aseta paikannusohjeiden mukaan kuva 1, 2 ja 3 sivulla 2-3.
- Aseta laitteen mukana toimitetut 8 mm seinätulpat (tarvittaessa) reikiin.
- Asenna kaksi L:n muotoista jalkaa seinään laitteen mukana toimitetuilla 5x40-ruuveilla.
- Asenna laitteen muut L-jalat kuudella M5-ruuvilla ja pienillä kuvan mukaisilla avaimilla (vastaavat mutterit ovat jo kiinnitetty laitteen runkoon)
- Asenna ja kiinnitä L:n muotoiset jalat seinälle ja laitteeseen vastaavasti käyttäen M8x13-pultteja, muttereita ja aluslevyjä ja kiristä.
- Lämmitettävästä alueesta riippuen laitteen kulmaa voidaan säätää välillä 0-45 astetta M8-bakeliittipultilla ja -mutterilla.
- Lämmitin voidaan asentaa kattoon. Varoitus! Jos lämmitin asennetaan kattoon, katto voi värjäytyä riippuen pintamateriaalista.
- Liitokset on tarkistettava uudelleen ennen laitteen käyttöä.

### 2.2 ASENUSOHJEET, SIJAINTI JA ETÄISYYS

Peittoalueen ja muiden kohteiden minimi suojaetäisyydet on esitetty kuvassa sivulta 2.

### 2.3 ASENUSOHJEET OIKEILLA JA VÄÄRILLÄ SIJAINNEILLA

KOHDISTA LÄMMITIN SOPIVAAN KULMAAN

Älä anna valon tulla ulos ikkunasta, laseista jne. koska lämmitin lämmittää ensisijaisesti kohdat, joihin sen valo lankeaa

HUOM: Opranic Eco, Nova, ja Lava laitteita ilman "X" merkkiä saa käyttää horisontaalisesti!

Kunto maksimi / -kulma on 5 astetta. Jos kulma on suurempi kuin 5 astetta, lämmitin ei vaurioidu lyhyen ajan.

Katso kuva 3 sivulla 3.

### 2.4 KATTOMUUS TAI VERTIKALENTAMINEN

**HUOMIO!** Asennettaessa "R" - tai "XR" -malleja pystysuunnassa ylöspäin (kattoon) tai "XR" -malleihin, sisäänrakennettu kallistuskytkin on poistettava käytöstä.

Elektronisen kallistuskytkimen poistaminen käytöstä seuraa vaihe 1-4;

1. Irrota virtajohto pistorasiasta.
2. Pidä samanaikaisesti kaksi painiketta (katso kuva F4 sivulla 3).
3. Kytke virtajohto pistorasiaan (pitämällä kaksi painiketta painettuna).
4. Odota 3-5 sekuntia, kunnes kuuluu äänimerkki.

Kallistuskytkin on nyt pois päältä ja lämmitin voidaan asentaa alaspäin tai pystysuoraan.

Kallistuskytkimen aktivoimiseksi toista vaihe 1-4.

### 3. KÄYTTÖOHJEET

#### TERMOSTAATTIVERSIO "T" TARKOITTA A TERMOSTAATTIOHJATTUA)

Termostaattia voidaan säätää oman mukavuustason mukaisesti.

Kun termostaatti kytkee päälle ja pois päältä sykleissä lämpötilasta riippuen alustan lämmittimen ja valitun tason asetukset. Laite toimii jatkuvasti, kun termostaatti on korkeimmalla tasolla.

Voit vähentää energiankulutusta säätämällä termostaattia oman mukavuuden mukaan  
Kytkeminen POIS PÄÄLTÄ

Kun laitetta ei käytetä pitkään aikaan, se puhdistetaan tai huolletaan kun lämmittimen sijaintia vaihdetaan, sähköliitintä kytketään pois päältä irrottamalla virtajohto ja säätämällä termostaatti "0"-tilaan.

Kauko-ohjattava versio

#### "R" TARKOITTA A KAUKO-OHJATTAVA

- Osoita kaukosäätimellä kohti vastaanotinta käyttäessäsi sitä. Kaukosäädin ei toimi kaukaa Kun voimakas valaistus tai auringonvalo on läsnä. Tässä tapauksessa, käytä kaukosäädintä edessä ohjauspaneelin.

- Kun valitset toiminnon kaukosäätimellä kuulet "piip".

- Jos haluat ottaa käyttöön tai pois lämmittimen painamalla punaista painiketta

- Valitse taso lämmitys painamalla painikkeita 1-5 kuten teidän vaatimus.

Käytä kahta AAA-paristoa kauko-ohjaimeen .Kun kaukosäädintä ei käytetä pitkään aikaan, poista paristot vuotamisen välttämiseksi ja vaurioita.

Älä päästä vettä tai nestettä päästä kaukosäätimen.

## 4. TAKUUEHDOT

Opranicin takuu ei kata vikoja, jotka johtuvat laitteen virheellisestä käytöstä. Takuu ei kata seuraavia tilanteita:

1. Virheellisestä käytöstä johtuvat vahingot ja viat.
2. Kuljetuksen aikana tapahtuneet vahingot ja viat, kun yhtiö on toimittanut tuotteen asiakkaalle.
3. Vahingot ja viat, jotka johtuvat liian alhaisesta tai suuresta jännitteestä, maadoittamattoman pistokkeen käytöstä, viallisista sähköjärjestelmistä, laitteen käytöstä muilla kuin ohjeissa määritetyillä jännitearvoilla.
4. Tulesta ja salamoista johtuvat vahingot ja viat.
5. Vahingot ja viat, jotka johtuvat muiden kuin valtuutettujen henkilöiden suorittamista korjauksista ja huollosta.
6. Viat, jotka johtuvat käyttöohjeiden noudattamatta jättämisestä.
7. Vahingot ja viat, jotka johtuvat tuotteen kuljetuksesta korjauksen sijasta.

Huomio! Takuu ei kata virheellistä huoltoa ja puhdistusta.

1. Pöly ja ilman epäpuhtaudet.
2. Virheellisestä puhdistuksesta johtuva heijastinosan tai säikeen vahinko.
3. Virheellinen asennus tai purkaminen.
4. Laitteen käyttö, kun säie, runko tai virtajohto on vaurioitunut.

Edellä mainitut viat ja palvelut eivät kuulu takuun piiriin.

Jos tämä tuote osoittautuu vialliseksi valmistuksen ja materiaalin osalta, kuluttajan on toimitettava tuote korjattavaksi takuuehtojen mukaisesti. Missään tapauksessa Opranic ei ole vastuussa mistään suorista, välillisistä tai satunnaisista menetyksistä tai vahingoista, jotka johtuvat tämän tuotteen käytöstä tai kyvyttömyydestä käyttää tätä tuotetta.

Tämä takuu on mitätön, jos takuutodistuksesta puuttuu toimittajan leima ja allekirjoitus sekä ostopäivämäärä.

Tämä takuu mitätöityy, jos mahdollinen sarjanumero, mallinumeron tunniste tai merkki on poistettu kokonaan tai osittain.

Kaikilla Opranic-tuotteilla on CE-todistus



Tämä symboli tuotteessa tai pakkauksessa osoittaa, että laitetta ei voida hävittää kotitalousjätteen mukana, vaan se on vietävä sähkö- ja elektroniikkalaitteiden kierrätyspisteeseen.

Kun hävität tuotteen oikealla tavalla, suojelet ympäristöä ja kanssaihmissen terveyttä. Terveys ja ympäristö vaarantuvat virheellisestä hävittämisestä. Saat lisätietoja tämän tuotteen kierrätyksestä paikallisviranomaisilta, kierrätysyrityspalvelusta tai myymälästä, josta ostit tuotteen.

## Paldies, ka esat izvēlējušies Opranic!

Iegādājoties šo produktu jūs esat izvēlējušies augstas kvalitātes ierīci. Šī lietošanas instrukcija ir sastādīta mūsu Opranic ECO, NOVA & LAVA sērija. Jūs esat iegādājušies augstas kvalitātes efektīvu un oriģinālu Opranic-IR infrasarkano sildītāju. Lūdzu, rūpīgi izlasiet šo lietošanas instrukciju, lai sildītāja darbība jūs pastāvīgi apmierinātu. Pirms lietošanas noteikti izlasiet Drošības noteikumus un izmantojiet produktu atbilstoši paredzētajam mērķim. Glabājiet šo instrukciju drošā vietā, lai nepieciešamības gadījumā varētu atkārtoti ar to iepazīties.  
Nepieciešamības gadījumā sazinieties ar jūsu valsts izplatītāju vai importētāju mājas lapā [www.opranic.com](http://www.opranic.com)

Kontakti:

Mājas lapa: [www.opranic.com](http://www.opranic.com)

e-pasts: [info@opranic.com](mailto:info@opranic.com)

Ražots Turcijā

Ver. 3.01

© Opranic 2018

## SATURA RĀDĪTĀJS

1. DROŠĪBA .....	PAG 29
1.1 DROŠĪBAS NORĀDĪJUMI .....	PAG 29
1.2 UZSTĀDĪŠANAS, DROŠĀS DISTANCES .....	PAG 29
1.3 NORĀDĪJUMI TĪRĪŠANAI UN APKOPEI .....	PAG 30
1.4 GARANTĪJA .....	PAG 30
1.5 LABOŠANA UN APKOPE .....	PAG 30
2. UZSTĀDĪŠANA .....	PAG 31
2.1 UZSTĀDĪŠANAS NORĀDĪJUMI .....	PAG 31
2.2 UZSTĀDĪŠANAS VEIDI UN ATTĀLUMI.....	PAG 31
2.3 UZSTĀDĪŠANAS NORĀDĪJUMI.....	PAG 31
2.4 PILDĪŠANA VAI VERTIKĀLĀ MONTĀŽA.....	PAG 32
3. LIETOŠANAS NORĀDĪJUMI .....	PAG 32
4. GARANTĪJAS NOSACĪJUMI .....	PAG 33

# 1. DROŠĪBA

## 1.1 DROŠĪBAS NORĀDĪJUMI

Pirms uzstādīšanas un lietošanas rūpīgi izlasiet šo instrukciju. Glabājiet šo instrukciju izmantošanai nepieciešamības gadījumā.

Pirms izmantošanas pārbaudiet ierīces un strāvas vada veselumu. Pārbaudiet, vai kvēldiegam (sildīšanas caurulītei) nav plaisas, skrāpējumi, vai visi savienojumi ir kārtībā. Ja šādi defekti tiek konstatēti, sazinieties ar jūsu autorizēto tehnisko servisu. Ja jūsu ierīces strāvas vads ir bojāts, nelietojiet to, bet atgrieziet jūsu tehniskajam servisam. Pārliedzinieties, ka strāvas elektriskajā tīklā ir 220-240V un 50-60Hz un savienojumam ir uzstādīts drošinātājs.

Pārbaudiet tīkla drošību. Drošinātājs jābūt vismaz 10A lai efektīvi veiktu līdz 2300W un 16A uz 3600W efektiem.

Nelietojiet jūsu Opranic sildītāju kopā ar citām ierīcēm, kuras ieslēgtas tajā pašā daudzkontakta pagarinātājā vai pie tā paša drošinātāja.

- Izmantojiet jūsu ierīci pareizi iezemētu kontaktdakšu.
- Iezemētajai kontaktdakšai ir jāatrodas ārpus apsildāmā lauka un nost no karstas virsmas.
- Ierīce nedrīkst tikt izmantota, ja novietota zem strāvas kontaktligzdas.
- Strāvas vads nedrīkst tikt atstāts uz vai aptīts ap jūsu Opranic ierīces korpusu.
- Atvienojiet jūsu ierīci no strāvas avota, ja neizmantojat to ilgāku laiku vai pirms tīrīšanas vai apkopes uzsākšanas.
- Ja ierīce ir uzstādīta tādās telpās, kā, piemēram, vannas istaba, to uzstādot jāpārliedzinās, ka cilvēki dušas izmantošanas laikā nevar nonākt saskarsmē ar ierīci un tās vadības slēdžiem.
- Ar ierīci drīkst rīkoties cilvēki ne jaunāki par 8 gadiem.
- Bērni vecāki par 8 gadiem, kā arī personas ar ierobežotām fiziskām, sensorām vai garīgām spējām, vai arī personas bez pieredzes un zināšanām drīkst rīkoties ar šo ierīci, ja tās tiek uzraudzītas vai sniegta instrukcija par ierīces drošu izmantošanu un viņas izprot iespējamus riskus. Nedrīkst ļaut bērniem rotaļāties ar ierīci. Bērni bez uzraudzības nedrīkst veikt ierīces tīrīšanu vai apkopi.

## 1.2 UZSTĀDĪŠANAS, DROŠĀS DISTANCES

- Uzstādīšanas un drošības attālumu izpildiet 2. lappusē 2. lappusē.
- Minimālais uzstādīšanas augstums ir 1,8 metri no zemes / grīdas.
- Nekādā gadījumā nenovietojiet ierīci uz degošas virsmas (plastmasa, neilons, kartons u.c.)
- Ierīces darbības laikā tās virsmas ir karstas!
- Ierīci nedrīkst daļēji vai pilnīgi pārklāt ar viegli degošiem materiāliem, jo pārkaršana var izraisīt ugunsgrēku.
- Šī ierīce nav paredzēta bērnu vai personu ar ierobežotām fiziskām vai garīgām spējām, kā arī bez pieredzes un zināšanām, lietošanai, ja vien netiek nodrošināta pienācīga uzraudzība, kā arī sniegta informācija par ierīces izmantošanu. Bērnu jāuzrauga, lai tie nespēlētu ar ierīci.
- Sildītājs ir aprīkots ar aizsargrežģi, lai nepieļautu saskarsmi vai lielāku priekšmetu nokļūšanu pie sildelementa. Bez aizsargrežģa ierīci izmantot nedrīkst.

- Pārlicinieties, ka uz sildītāja vai tā tuvumā nav viegli uzliesmojoši materiāli.
- Siltuma izstarošanas virzienā vismaz 1 metra attālumā nedrīkst būt viegli uzliesmojoši materiāli.
- Neuzstādi sildītāju tieši zem strāvas kontaktligzdas.
- Strāvas vads un slēdzis nedrīkst atrasties apsildāmā sektora karstajā daļā.
- Nestipriniet neko pie aizsargrežģa.
- Neizmantojiet jūsu sildītāju cigaretes vai līdzīgu materiālu aizdedzināšanai.

#### **UZMANĪBU – LAI SAMAZIĀTU AIZDEGŠANĀS RISKU:**

- Nenovietojiet jebkādas priekšmetus, kā, piemēram, mēbeles, papīri, drēbes vai aizkari tuvāk par 1m (3 pēdas) sildītāja priekšpusē un turiet tos nost no sildītāja sāniem un aizmugures kad tas ir ieslēgts.
- Nenovietojiet sildītāju gultas tuvumā, jo priekšmeti, kā, piemēram, spilveni vai segas var noslīdēt no gultas un aizdegties no sildītāja.
- Vienmēr atvienojiet sildītāju no strāvas avota laikā, kad tas netiek izmantots.
- Centieties neizmantot pagarinātāju, jo tas var pārkarst un izraisīt aizdegšanos. Ja tomēr pagarinātājs ir jāizmanto, tad tam ir jābūt vismaz ar 2mm dzīslu (14 AWG) un ne mazāk par 10A.
- Nelietojiet sildītāju tuvāk par 7,6m (25 pēdas) no viegli uzliesmojošiem materiāliem (benzīns, spirts u.c.).
- Nekādā gadījumā neaizsprostojiet sildītāja priekšējo režģi.
- Nekādā gadījumā necentieties labot sildītāju, ja tas nav atvienots no strāvas avota.

### **1.3 NORĀDĪJUMI TĪRĪŠANAI UN APKOPEI**

- Vispirms atvienojiet sildītāju no strāvas avota. Atvienojot sildītāju no strāvas avota nekādā gadījumā nevelciet aiz strāvas vada.
- Atvienojot sildītāju no strāvas avota nekādā gadījumā nevelciet aiz strāvas vada.
- Atvienojiet strāvas padevi, turot kontaktdakšu atvienojiet to no kontaktligzdas. Ja ierīce tiek lietota pirmo reizi vai arī pēc ilga pārtraukuma, var rasties neliels piedūmojums vai smaka no putekļiem vai netīrumiem, kas sakrājušies uz sildelementa. Šāda parādība ir normāla un pēc īsa brīža izzūd. Ierīci ir jāatvieno no strāvas avota, veicot apkopi, tīrīšanu vai remontu. Ierīcei nav kustīgu daļu, tāpēc apkopes prasības ir nelielas, bet jebkurā gadījumā ierīce ir jāattīra no putekļiem un netīrumiem. Ja ierīces reflektors nav tīrs, ierīces radītais siltuma starojums palielinās un sildītājs vairāk sakarst. Liels netīrumu daudzums var izraisīt pārkaršanu. Reflektora virsma ir jutīga un ir jātīra ar īpašu uzmanību. Ja reflektors ir netīrs, to jātīra vai jānomaina speciālistam.

## 1.4 GARANTIJA

Orpanic Nova un Lava sēriju garantija ir 2 gadi. Lūdzu, izlasiet garantijas nodaļu, lai iepazītos ar garantijas nosacījumiem.

## 1.5 LABOŠANA UN APKOPE

Uzmanību! Tikai Orpanic autorizēts tehniskais serviss un personas drīkst veikt šī sildītāja apkopi, remontu un daļu nomaiņu.

## 2. UZSTĀDĪŠANA

### 2.1 UZSTĀDĪŠANAS NORĀDĪJUMI

Uzmanību! Ierīce jāuzstāda uz cietām virsmām, kā, piemēram, betons, koksne, metāls u.c. Nekādā gadījumā nedrīkst uzstādīt uz viegli uzliesmojošām virsmām! (Plastmasa, neilons, vinils u.c.).

- Aseta paikannusohjeiden mukaan kuva 1, 2 ja 3 sivulla 2-3.
- Izurbiet četrus atvērumus sienā vietā, kur ierīci paredzēts uzstādīt, ievērojot norādītos attālumus.
- Urbumos nepieciešamības gadījumā ievietojiet komplektā iekļautos dībeļus.
- Uzstādi pie sienas divus no L-veida turētājiem ar komplektācijā pievienotajām skrūvēm.
- Pievienojiet pie ierīces otrus divus L-veida turētājus ar četrām skrūvēm, izmantojot uzgriežņu atslēgu (atbilstoši uzgriežņi ir iestrādāti ierīces korpusā).
- Uzstādi un nofiksēji L-veida stiprinājumus pie sienas un pie ierīces, izmantojot skrūves, uzgriežņus un starplikas.
- Atkarībā no apsildāmā laukuma ierīces leņķis var tikt regulēts 0 – 45 grādu robežās ar M8 bakelīta skrūvi un uzgriežni.
- Sildītājs var tikt stiprināts pie griestiem.  
Uzmanību! Gadījumā, ja sildītājs tiek stiprināts pie griestiem, tas var mainīt virsmas krāsu atkarībā no virsmas materiāla.
- Pirms ierīces ieslēgšanas ir jāpārbauda savienojumi un pieslēgums.

### 2.2 UZSTĀDĪŠANAS VEIDI UN ATTĀLUMI

Katso vähimmäisetäisyys peittoalueelta ja muilta tavaroilta sivulta 2.

Minimālajiem drošības attālumiem horizontālas uzstādīšanas gadījumā. Minimālie attālumi līdz citiem priekšmetiem norādīti attēlos.

### 2.3 UZSTĀDĪŠANAS NORĀDĪJUMI (PAREIZS UN NEPAREIZS NOVIETOJUMS)

**NOSTĀDIET JŪSU SILDĪTĀJU LEŅĶĪ, KAS JUMS IR VISPIEMĒROTĀKAIS**

Nevirziet sildītāja gaismu logos, stiklā u.c., jo sildītājs pirmkārt silda virsmu, uz kuras krīt tā gaiss.

**Modeļi bez "X" modeļa aprakstā var TIKAL uzstādīt HORIZONTAL!**

Maksimālais pacelšanas/novirzes leņķis ir 5 grādi.

Ja tas pārsniedz 5 grādus, sildītājs īsā laikā var tikt nopietni bojāts.

Katso kuva 3 sivulla 3.

## 2.4 PILDĪŠANA VAI VERTIKĀLĀ MONTĀŽĀ

**UZMANĪBU!** Montējot "R" vai "XR" modeļus vertikālā virzienā uz leju (griesti) vai "XR", jāiestata iebūvētais slīpuma slēdzis.

Lai deaktivizētu elektronisko slīpuma slēdzi, veiciet 1.-4. Darbību;

1. Atvienojiet strāvas vadu.
2. Vienlaikus nospiediet un turiet abas pogas (skatiet F4. Lappusi 3. lpp.).
3. Iespraudiet strāvas vadu (vienlaikus nospiežot divas pogas).
4. Pagaidiet 3-5 sekundes, līdz atskan skaņas signāls.

Tagad slīpēšanas slēdzis ir deaktivizēts, un sildītāju var uzstādīt uz leju vai vertikāli.

Lai aktivizētu slīpuma slēdzi, atkārtojiet 1.-4. Darbību.

## 3. LIETOŠANAS NORĀDĪJUMI

"T" norāda, ka ir termostats.

Jūs varat iestatīt termostatu jums nepieciešamajā līmenī.

Ja termostats ir iestatīts augstākajā līmenī, ierīce darbosies nepārtraukti. Termostats ieslēdzas un izslēdzas ciklu atkarībā no temperatūras šasijas sildītāja un izvēlēto līmeņa iestatījumiem. Jūs varat samazināt enerģijas patēriņu iestatot termostatu jums piemērotā komforta līmenī.

Izslēgšana

Ja ierīce netiek darbināta ilgāku laiku vai arī tiek veikta tīrīšana vai apkope vai arī sildītāja novietojuma maiņas gadījumā nepieciešams atvienot sildītāju no strāvas avota, ā arī iestatīt termostatu pozīcijā „0”.

## TĀLVADĪBAS KONTROLĒTI VERSIJA

"R" apzīmē tālvadības

- punkts tālvadības pulti pret uztvērēju kamēr to izmanto.  
Tālvadības pulsts nestrādās no attāluma, kad spēcīgs apgaismojums vai saules gaisma ir klāt. Tādā gadījumā, izmantojiet tālvadības pulti, tikai priekšā vadības panelī.
- Ja izvēlaties funkciju ar tālvadības pulti atskan "pīkstieni".
- Lai ieslēgtu vai izslēgtu jūsu sildītāja nospiediet sarkano pogu
- Lai izvēlētos sildīšanas līmenis nospieš pogas starp 1-5, kā jūsu prasība.  
Lietojiet divas AAA baterijas tālvadības pulsts .Kad tālvadības pulsts netiek lietota ilgu laiku, lūdzu, izņemiet baterijas, lai izvairītos no noplūdes un bojājumus.  
Nepieļaujiet ūdens vai šķidruma iekļūt tālvadības pulti



## 4. GARANTIJAS NOSACĪJUMI

Opranic sniegtā garantija nesedz defektus, kas radušies nepareizi lietojot ierīci. Garantija nav attiecināma uz tālāk norādītajām situācijām:

1. Bojājumi un defekti, kas radušies ierīci nepareizi lietojot.
  2. Bojājumi un defekti, kas radušies transportēšanas laikā pēc tam, kad ierīci pircējam uzņēmums jau ir piegādājis.
  3. Bojājumi un defekti, kas radušies pazemināta vai paaugstināta sprieguma rezultātā, izmantojot neiezemētus savienojumus, elektrības padeves sistēmas bojājumu dēļ, lietojot ierīci strāvas tīklā ar atšķirīgu strāvas spriegumu, nekā norādīts lietošanas instrukcijā.
  4. Bojājumi un defekti, kas radušies aizdegšanās rezultātā.
  5. Bojājumi un defekti, kas radušies, veicot labošanu un apkopi neautorizētām personām.
  6. Bojājumi un defekti, kas radušies, neievērojot lietošanas instrukcijas norādījumus.
  7. Bojājumi un defekti, kas radušies no ierīces transportēšanas tās labošanas vietā.
- Uzmanību! Nepareiza apkope un tīrīšana netiek segta ar garantiju.
1. Putekļi un vides piesārņojums.
  2. Neatbilstošas tīrīšanas rezultātā radušies sildelementa vai reflektora bojājumi.
  3. Nepareiza uzstādīšana vai demontāža.
  4. Lietošana ar bojātu sildelementu, reflektoru vai strāvas vadu.

Šie minētie defekti nav iekļauti garantijas nosacījumos.

Gadījumā, ja ierīces bojājumi vai defekti ir ražotāja vai izmantoto materiālu dēļ, visas klienta izmaksas par ierīces labošanu vai aizvietošanu atbilstoši garantijas nosacījumiem tiek atmaksātas.

Opranic nekādā veidā nenes atbildību par šīs ierīces lietošanas spējas vai nespējas rezultātā radītiem tiešiem, netiešiem vai nejaušiem zaudējumiem vai bojājumiem.

Šī garantija nav spēkā, ja garantijas sertifikātā nav piegādātāja zīmoga un paraksta, kā arī nav norādīts iegādes datums.

Šī garantija nav spēkā, ja sērijas numurs (ja norādīts), modeļa numura identifikators, vai tirgus zīmols ir pilnībā vai daļēji noņemts vai nodzēsts.

Visiem Opranic zīmola izstrādājumiem ir CE sertifikāts.



Šis uz ierīces vai tās iepakojuma esošais simbols norāda, ka ierīci nedrīkst izmest kopā ar parastiem sadzīves atkritumiem, bet to jānogādā elektrisku un elektronisku ierīču savākšanas punktā atkārtotai pārstrādei un izmantošanai.

Jūsu ieguldījums šīs ierīces atbilstošā utilizācijā palīdz aizsargāt vidi un jūsu kaimiņu veselību. Nepareiza utilizācija negatīvi ietekmē vidi un veselību. Informācija par šīs ierīces atbilstošas utilizācijas iespējām var tikt saņemta jūsu vietējā pašvaldībā, attiecīgās teritorijas atkritumu savākšanas punktā vai veikalā, kur jūs iegādājāties šo ierīci.

## Tak for dit valg af Opranic

Når du har købt dette produkt, du har valgt et moderne apparat med høj kvalitet. Denne manual er udviklet Opranic ECO, NOVA & LAVA serie. Du har købt en kraftfuld og original Opranic-IR infrarød varmelegeme af høj kvalitet. Læs vejledningen omhyggeligt for at kunne bruge denne varmer på en tilfredsstillende måde. Sørg for at læse "Sikkerhed" på forhånd, og at du bruger produktet korrekt. Opbevar denne brugsanvisning på et sikkert sted til senere brug, så den er klar når det er nødvendigt.

For information kontakt venligst forhandleren eller importøren i det land, hvor du bor.

Kontaktperson:

online: [www.opranic.com](http://www.opranic.com)

E - mail: [info@opranic.com](mailto:info@opranic.com)

Produceret i Tyrkia

Ver. 3.01

© Opranic 2018

## INDHOLDSFORTEGNELSE

1. SIKKERHED .....	SIDE 35
1.1 SIKKERHEDSFORANSTALTNINGER .....	SIDE 35
1.2 SIKKERHEDSAFSTANDE TIL INSTALLATION.....	SIDE 35
1.3 INSTRUKTIONER TIL RENGØRING OG VEDLIGEHOLDELSE.....	SIDE 36
1.4 GARANTI .....	SIDE 36
1.5 REPARATION OG SERVICE .....	SIDE 36
2. INSTALLATION .....	SIDE 37
2.1 INSTALLATIONSVEJLEDNING .....	SIDE 37
2.2 INSTALLATIONSVEJLEDNING POSITION + DISTANCE .....	SIDE 37
2.3 INSTALLATIONSVEJLEDNING MED RIGTIGE OG FORKERTE HOLDNINGER.....	SIDE 37
2.4 BELØB ELLER VERTIKAL MONTERING .....	SIDE 38
3. VEJLEDNING .....	SIDE 38
4. GARANTIBETINGELSER .....	SIDE 39

# 1. SIKKERHED

## 1.1 SIKKERHEDSFORANSTALTNINGER

Læs vejledningen omhyggeligt, før installation og brug. Opbevar denne vejledning til senere brug

Kontroller apparatet og strømledningen for skader, før arbejdet med instrumentet. Check for revnet, tåreflåd eller skrabe bunden på glødetråden (varmerør). Hvis du finder tegn på dette, skal du kontakte en autoriseret serviceafdeling. Hvis apparatet eller ledningen er beskadiget, skal du ikke bruge måleren, men returnere det til den tekniske serviceafdeling. Sørg hovedkredsen er 220-240 og 50-60 Hz, og forbindelsen er sikret.

Garanteret strømforsyningen. Sikringen skal være et minimum af 10A for effekter op til 2300W og 16A for effekter på op til 3600W.

Brug ikke Opranic varmelegeme hvis der er andre enheder tilsluttet til det samme multi stikkontakt, eller til den samme sikring.

- Brug apparatet med en stikkontakt med jordforbindelse.
- Den jordet stik skal holdes uden for varmeområdet og væk fra den varme overflade.
- Brug ikke direkte under stikkontakten.
- Ledningen må ikke placeres på eller omkring rammen til Opranic sæt.
- Tag stikket ud af apparatet, når du ikke vil bruge det i et stykke tid, og når du ønsker at rense eller udføre vedligeholdelse
- Hvis enheden er monteret på steder såsom badeværelser, skal man være forsigtig, så installeret, så du ikke kan komme i kontakt med knapperne apparat eller kontrol, mens brusebad.
- Apparatet må kun anvendes af folk, der er ældre end 8 år.
- Børn i alderen 8 eller ældre, og folk, der har begrænsede fysiske, sensoriske eller mentale evner, eller ikke har tilstrækkelig erfaring eller ekspertise kan kun bruge enheden, hvis de har tilsyn under brug, og de er blevet uddannet til at bruge udstyret sikkert og de forstår de farer der måtte opstå. Børn bør ikke lege med det. Børn må ikke udføre rengøring eller vedligeholdelse uden opsyn.

## 1.2 SIKKERHEDSAFSTANDE TIL INSTALLATION

- Installer aldrig enheden på en brændbar overflade (plast, nylon, pap osv ..)
- Følg figur 2 på side 2 for installations- og sikkerhedsafstande.
- Mindste installationshøjde er 1,8 meter fra jorden / gulvet.
- Når overflader enheden bliver meget varme!
- Du må ikke helt eller delvist dækket med brændbare materialer, fordi overophedning kan forårsage brandfare!
- Varmelegemet har en beskyttende rist for at undgå kontakt og for at forhindre store genstande røre varmelampe. Må ikke fungere uden denne beskyttende gitter.
- Sørg for, at der ikke er brændbare materialer på eller i nærheden af ovnen.
- Der skal være et åbent område i strålen retning af enheden på mindst 1 meter.
- Anbring ikke varmeren direkte under stikkontakten.
- Kablet og stikket må ikke placeres inde varmestrålingen området.
- Sæt ikke noget i beskyttende gitter.
- Brug ikke varmeapparatet til at antænde cigaretter eller lignende.

## ADVARSEL - Brandsikring FORANSTALTNINGER

- Anbring ikke genstande såsom møbler, papirer, tøj og gardiner mindst 1 m (3 ft) fra forsiden af ovnen og holde sådanne ting væk fra siderne og tilbage samt, når varmeapparatet er tilsluttet.
- Placer ikke ovnen tæt senge, fordi genstande såsom puder eller tæpper kan falde ud af sengen og antændes af varmelegemet.
- Frakobl altid ovnen, hvis den ikke er i brug.
- Undgå brug af forlængerledninger, da kan forlængerledning overophedet og giver risiko for brand. Men hvis du stadig nødt til at bruge en forlængerledning, skal ledningen være 2 mm (14 AWG) mindstestørrelse, og ikke klassificeret lavere end 10A.
- Brug ikke inden for 7,6 m (25 fod) fra brændbare materialer (benzin, alkohol etc.).
- blokere aldrig gitter på forsiden af ovnen.
- Forsøg aldrig at opretholde varmeren uden at afbryde strømkilden.

### 1.3 INSTRUKTIONER TIL RENGØRING OG VEDLIGEHOLDELSE

- Tag netledningen til varmeren. Træk aldrig i ledningen for at tilslutte apparatet fra strømforsyningen.
- Træk aldrig i ledningen for at tilslutte apparatet fra strømforsyningen
- Tag når der anvendes enheden for første gang eller efter en lang periode uden brug, røg eller lugt, der opstår på grund af støv eller snavs, der har samlet sig på elementet. Dette er normalt og forsvinder efter kort tid. Strømmen til apparatet skal være afbrudt under al service, reparation og vedligeholdelse. Enheden har ingen bevægelige dele, så behovet for vedligeholdelse er lav, men det skal holdes rene og fri for støv og snavs.
- Hvis reflektoren er ikke ren, er varmestrålingen fra apparatet reduceres, og varmelegeme selv vil være varmere. En stor mængde af snavs kan forårsage overophedning. Overfladen af reflektoren er følsom og skal renses omhyggeligt. Kan reflektor er snavset, rengøres eller erstattes af en specialist.

## 1.4 GARANTI

Varigheden af garantien Opranic Nova og Lava serien er 2 år. Se afsnittet garanti for at se de garantibetingelser.

## 1.5 REPARATION OG SERVICE

Advarsel! Kun teknisk bistand og personer, som Opranic driftsklar, reparation og udskiftning af dele på denne radiator.

## 2. INSTALLATION

### 2.1 INSTALLATIONSVEJLEDNING

Advarsel! Apparatet skal installeres på faste overflader som beton, træ eller metal etc.

Aldrig installere på brændbare overflader! (Plastic, nylon, vinyl, etc.)

Monter i henhold til placeringsvejledningen Figur 1, 2 og 3 på side 2-3.

- Boring af flere huller på væggen på det sted, hvor enheden skal installeres som passer hullerne i L formede monteringsblecken.
- Sæt rawlplugs (om nødvendigt), som følger med apparatet i hullerne.
- Monter de to L-formede beslag på væggen med skruer, der følger med enheden.
- Fastgør de andre L-beslag med de seks skruer og den lille skruenøgle, som vist i (de tilsvarende møtrikker er allerede indbygget i enheden)
- Installer og fastgør L-formede beslag på væggen og på apparatet ved hjælp af bolte, skiver og møtrikker, så drejningsmoment.
- Afhængigt af området skal opvarmes, vinklen på enheden er justerbar 0-45 grader ved hjælp af bolt med bakelit hoved og fastgørelse møtrik.
- Varmeren kan monteres i loftet.

**Advarsel! Når installeret i loftet varmer kan misfarve tagfladen, afhængigt af overflademateriale.**

- Inden apparatet skal skruer kontrolleres igen.

### 2.2 INSTALLATIONSVEJLEDNING POSITION + DISTANCE

For mindst afstand fra dækningsområde og andre objekter, se figur 2 på side 2.

Minimum sikkerhedsafstande for vandrette installationer. For mindste afstande fra dækningsområdet og andre genstande, se fig.

### 2.3 INSTALLATIONSVEJLEDNING MED RIGTIGE OG FORKERTE HOLDNINGER

**LIGE HEATER I den bedst egnede RANGE**

Ret ikke lyset gennem vinduet, briller osv Fordi varmer primært områder, hvor lyset er rettet  
**BEMÆRK: modeller af Opranic Eco, Nova- og Lava serien uden "X" -mærket kan kun bruges vandret!** Maksimal tilt / vinkel er 5 grader. Hvis der anvendes med end 5 grader, idet varmelegemet beskadiget på en kort tid.

Se figur 3 på side 3.

## 2.4 BELØB ELLER VERTIKAL MONTERING

**OPMÆRKSOMHED!** Når der monteres "R" eller "XR" -modeller med forsiden nedad (loft) eller "XR" -modellerne i lodret retning, skal den indbyggede vippekontakt være deaktiveret.

For at deaktivere den elektroniske vippekontakt følger trin 1-4;

1. Træk stikket ud af stikkontakten.
2. Tryk og hold de to knapper inde (se figur F4 på side 3) samtidigt.
3. Sæt netledningen i (samtidig med at de to knapper trykkes ind).
4. Vent i 3-5 sekunder, indtil der lyder en "bip".

Tippekontakten er nu deaktiveret, og varmeren kan monteres forsiden nedad eller lodret.

For at aktivere vippekontakten, gentag trin 1-4.

## 3. VEJLEDNING

### TERMOSTAT VERSION "T" STÅR FOR TERMOSTATSTYRET

Du kan derefter justere termostaten niveau i henhold til dine behov. Termostaten tænder og slukker i cyklusser afhængigt af temperaturen af chassiset af ovnen og udvalgte niveauindstillinger. Varmeren fungerer kontinuerligt, mens termostaten er tændt højeste niveau.

Du kan reducere strømforbruget ved at justere termostaten i henhold til dine behov

Slukke

Når den ikke er i brug i længere tid, når rengøring og udføre vedligeholdelse eller ved placering af varmelegeme i et nyt sted, skal strømmen afbrydes ved at trække stikket ud og justere termostaten på "0".

### FJERNSTYRET UDGAVE

"R" står for Fjernstyret

1. Ret fjernbetjeningen mod receiveren, mens du bruger det.

Fjernbetjeningen virker ikke distancere Når sollys stærk belysning eller til stede. I dette tilfælde skal du bruge fjernbetjeningen direkte foran kontrolpanelet.

2. Når du vælger en funktion med fjernbetjeningen, vil du høre et "bip".
  3. For at tænde eller slukke for ovnen, skal du trykke på den røde knap
  4. For at vælge niveau opvarmning trykke på knapperne mellem 1-5 som pr krav.
- Brug to AAA-batterier i fjernbetjeningen .Når ikke anvendes fjernbetjeningen i en længere periode, skal du fjerne batterierne for at undgå lækage og skader.

Lad ikke vand eller væske ind i fjernbetjeningen.

## 4. GARANTIBETINGELSER

Opranics garanti dækker ikke fejl, der skyldes misbrug af støtte. Garantien dækker ikke de situationer, der er beskrevet nedenfor:

1. Skader og mangler som følge af forkert brug.
2. De skader og mangler, der er opstået under transporten efter levering af produktet til kunden af selskabet.
3. De skader og mangler, der opstår som følge af lav eller høj spænding, brug af jordet stikkontakt, fejl i strømforsyningen, brugen af apparatet ved andre spændinger end dem, der er beskrevet i manualen.
4. Skader og mangler forårsaget af brand eller lynnedslag.
5. Skader og mangler skyldes reparationer og vedligeholdelse udført af personer, der ikke er tilladt.
6. Fejl der opstår som følge af overtrædelser af instruktionerne i manualen.
7. Skader og mangler som følge af transport af produktet, i stedet for at reparere.

**Advarsel! Utilstrækkelig vedligeholdelse og rengøring er ikke dækket af garantien.**

1. støv og forurenende stoffer i miljøet.
2. Skade på reflektor eller filament på grund af ukorrekt rengøring.
3. Forkert installation eller demontering.
4. Brug når glødetråden, ramme eller ledningen er beskadiget.

Ovenstående fejl og tjenesten er ikke dækket af garantien.

Skulle dette produkt påvises at være defekt i materialer og håndværksmæssig fremstilling, forbrugers eksklusiv retsmiddel kommer i form af reparation eller udskiftning, som fastsat af vilkårene i denne garanti. Opranic er under ingen omstændigheder være ansvarlig for tab eller skade, direkte, følgeskader eller tilfældige, der udspringer af brugen af eller manglende evne til at bruge dette produkt.

Denne garanti bortfalder, hvis garantibeviset mangler stempel og underskrift leverandøren og købsdatoen.

Denne garanti vil være ugyldig, hvis serienummeret (hvis relevant), identifikation model eller mærke er blevet helt eller delvist fjernet eller slettet.

Alle Opranics mærker er CE-mærket



Dette symbol på produktet eller emballagen angiver, at apparatet ikke kan behandles som husholdningsaffald, men skal afleveres til et opsamlingssted for genbrug af elektrisk og elektronisk udstyr.

Dit bidrag til den korrekte bortskaffelse af dette produkt vil beskytte miljøet og sundheden for dine medmennesker. Sundhed og miljø er truet af forkert bortskaffelse af affald. Kan indhentes yderligere oplysninger om genbrug af dette produkt fra kommunen, affald selskab eller den butik, hvor du købte produktet.

# Vielen Dank, dass Sie Opranic gewählt haben!

Mit dem Kauf unseres neuen Produktes haben Sie ein modernes, hochqualitatives Gerät ausgewählt. Diese Bedienungsanleitung wurde für die Opranic ECO & NOVA & LAVA-Serien gestaltet. Bitte lesen Sie das Handbuch sorgfältig, um langwährend Freude an Ihrem Heizer zu haben. Bitte lesen Sie vor der Verwendung die ‚Sicherheitsanweisungen‘ und verwenden Sie das Gerät in korrekter Weise. Bitte bewahren Sie dieses Handbuch zum zukünftigen Nachschlagen auf.

Für Informationen kontaktieren Sie bitte Ihren örtlichen Händler oder Importeur auf <https://opranic.com>

Kontakt:

Web: <https://opranic.com> E-Mail: [info@opranic.com](mailto:info@opranic.com)

Hergestellt in der Türkei

Handbuch-Revision 3.01

© Opranic 2018

## INHALTSVERZEICHNIS

1 SICHERHEIT .....	SEITE 41
1.1 SICHERHEITSANWEISUNGEN .....	SEITE 41
1.2 SICHERHEITSABSTÄNDE .....	PAGE 42
1.3 WARTUNG UND REINIGUNG .....	SEITE 42
1.4 GARANTIE .....	SEITE 43
1.5 REPARATUR UND SERVICE .....	SEITE 43
2 INSTALLATION .....	SEITE 43
2.1 INSTALLATIONSANWEISUNGEN .....	SEITE 43
2.2 INSTALLATIONSANWEISUNGEN FÜR POSITIONIERUNG + ABSTÄNDE .....	SEITE 43
2.3 INSTALLATIONSANWEISUNGEN ZU KORREKTER UND FALSCHER POSITIONIERUNG .....	SEITE 44
2.4 MONTAGE AN DER DECKE ODER IN DER VERTIKALEN .....	SEITE 44
3 BEDIENUNGSANWEISUNGEN .....	SEITE 44
3.1 THERMOSTAT-VERSIONEN .....	SEITE 44
3.2 VERSIONEN MIT FERNSTEUERUNG .....	PAGE 44
4 GARANTIEBEDINGUNGEN .....	SEITE 45



# 1. SICHERHEIT

## 1.1 SICHERHEITSANWEISUNGEN

- Lesen Sie diese Anweisungen vor Installation und Verwendung sorgfältig durch. Bewahren Sie dieses Handbuch zum zukünftigen Nachlesen auf. Prüfen Sie stets, ob Gerät oder Kabel beschädigt sind, bevor Sie das Gerät in Betrieb nehmen.
- Prüfen Sie, ob Glühwendel (Heizröhren) Risse, Kratzer oder Brüche aufweisen. Ggf. Ihren autorisierten technischen Kundendienst kontaktieren. Wenn Gerät oder Kabel beschädigt sind, Gerät nicht verwenden und zum technischen Kundendienst senden.
- Stellen Sie sicher, dass das verwendete Stromnetz 220-240 V bei 50-60 Hz verwendet und die Leitung über eine Sicherung verfügt. Prüfen Sie die Sicherheit des Stromkreises.
- Die Leitung muss für Leistungen bis 2300 W mit mindestens 10 A und für Leistungen bis 3680 W mit 16 A abgesichert sein.
- Verwenden Sie Ihren Opranic-Heizer nicht zusammen mit anderen Geräten in derselben Mehrfachsteckdose (Steckdosenleiste) oder im selben Sicherungskreis.
- Verwenden Sie Ihr Gerät mit einem ordnungsgemäß geerdeten Stecker (Schuko-Stecker).
- Den Schuko-Stecker nicht im beheizten Bereichs oder in Kontakt mit heißen Flächen lassen.
- Das Gerät soll nicht unterhalb der Steckdose verwendet werden.
- Das Zuleitungskabel nicht auf dem Gerät oder um dessen Gehäuse gewickelt lassen.
- Ziehen Sie den Stecker Ihres Gerätes, wenn Sie es für längere Zeit nicht verwenden oder Reinigungs- oder Wartungsarbeiten durchführen.
- Wenn das Gerät in Nassräumen installiert wird, muss darauf geachtet werden, dass das Gerät so installiert wird, dass Personen z. B. beim Duschen nicht in Kontakt mit dem Gerät oder den Steuertasten kommen können.
- Das Gerät darf nur durch Personen älter als 8 Jahre bedient werden.
- Das Gerät darf durch Kinder über 8 Jahren sowie Personen mit eingeschränkten physischen, sensorischen oder geistigen Fähigkeiten oder Mangel an Erfahrung und Wissen bedient werden, wenn diese in der Verwendung des Gerätes unterwiesen wurden oder so beaufsichtigt sind, dass keine Gefahr besteht und diese die damit verbundenen Gefahren verstehen. Kinder dürfen nicht mit dem Gerät spielen. Reinigung und Wartung darf ohne Aufsicht nicht durch Kinder ausgeführt werden.

## 1.2 SICHERHEITABSSTÄNDE

- Installations- und Sicherheitsabstände gemäß Abbildung 2 auf Seite 2.
- Installieren Sie das Gerät nie auf einer brennbaren Oberfläche (Plastik, Nylon, Pappe usw.)
- Während des Betriebes sind die Oberflächen des Gerätes heiß!
- Das Gerät darf nicht mit entflammaren Materialien überdeckt werden, weil durch Überhitzung Brandgefahr besteht!
- Dieses Produkt ist nicht zur Verwendung durch Kinder oder Personen mit eingeschränkten physischen oder geistigen Fähigkeiten oder Mangel an Erfahrung geeignet, es sei denn, sie wurden durch einen Verantwortlichen unterwiesen oder sind während der Benutzung beaufsichtigt. Kinder unter Aufsicht halten, um Spielen mit dem Produkt zu verhindern.
- 
- Der Heizer ist mit einem Schutzrost versehen, um versehentlichen Kontakt von Personen oder großen Gegenständen mit den Heizwendeln zu verhindern. Das Gerät darf nicht ohne diesen Schutzrost verwendet werden.
- Keine entflammaren Materialien auf oder nahe dem Heizer ansammeln lassen.
- Der einzuhaltende Abstand zu entflammaren Materialien in Richtung der Wärmestrahlung beträgt mindestens 1 Meter (3 feet).
- Der einzuhaltende Abstand zum Fußboden beträgt mindestens 1,8 Meter.
- Platzieren Sie den Heizer nicht direkt unter dem Steckdosenauslass.
- Zuleitung und Stecker nicht innerhalb des heißen Strahlungsbereichs platzieren.
- Schieben Sie keinerlei Dinge hinter den Schutzrost.
- Verwenden Sie den Heizer nicht, um Zigaretten oder ähnliche Dinge anzuzünden.

### **WARNUNG - ZUR VERRINGERUNG DES BRANDRISIKOS**

1. Platzieren Sie keine Dinge wie Möbel, Papier, Kleidung und Vorhänge näher als 1 m vor den Heizer und halten Sie diese von Seiten und Rückseite fern, wenn der Heizer mit der Steckdose verbunden ist.
2. Platzieren Sie den Heizer nicht nahe an einem Bett, weil Gegenstände wie Kissen oder Decken vom Bett herunterfallen und durch den Heizer in Brand gesetzt werden können.
3. Ziehen Sie stets den Stecker des Heizers, wenn dieser nicht verwendet wird.
4. Vermeiden Sie ein Verlängerungskabel, dieses kann überhitzen und ein Brandrisiko darstellen. Sollten Sie dennoch eins verwenden, so muss die Zuleitung mindestens 2 mm<sup>2</sup> (14 AWG) Leitungsquerschnitt haben und für mindestens 10 A zugelassen sein.
5. Nicht im Umkreis von 7,6 m zu entzündlichen Stoffen (Benzin, Alkohol usw.) betreiben.
6. Niemals den vorderen Rost des Heizers abdecken.
7. Niemals Reparaturarbeiten am Gerät durchführen, ohne diesen vorher vom Netz zu trennen.

## 1.3 WARTUNG UND REINIGUNG

- Stets zuerst den Heizer vom Netz trennen.
- Niemals am Zuleitungskabel, immer am Stecker ziehen, um vom Netz zu trennen
- Wenn das Gerät erstmals nach längerer Zeit verwendet wird, können Rauch oder Gerüche durch Staub und Schmutz auf den Heizstäben entstehen. Dies ist völlig normal und stoppt nach kurzer Zeit. Während aller Service-, Reparatur- und Wartungsarbeiten muss das Netzkabel des Gerätes ausgesteckt sein. Das Gerät hat keine beweglichen Teile, wodurch die erforderliche Wartung gering ist, aber es muss sauber, staub- und schmutzfrei sein. Mit schmutzigem Reflektor verringert sich die Wärmeabstrahlung und

der Heizer selbst wird heißer. Erhebliche Mengen an Schmutz können zu Überhitzung führen. Die Oberfläche des Reflektors ist empfindlich und muss mit Vorsicht gereinigt werden. Wenn der Reflektor schmutzig ist, muss er gereinigt oder durch eine Fachkraft ausgetauscht werden.

## 1.4 GARANTIE

Die Garantie für die Opranic Eco, Nova und Lava-Serien beträgt 2 Jahre. Bitte lesen Sie den Garantieabschnitt betreffs der Garantiebedingungen.

## 1.5 REPARATUR UND SERVICE

**Achtung! Nur durch Opranic autorisierte technische Dienstleister und Personen dürfen die Teile dieses Heizers warten, reparieren oder ersetzen.**

## 2. INSTALLATION

### 2.1 INSTALLATIONSANWEISUNGEN

**Achtung! Das Gerät muss auf stabilem Untergrund aus Beton, Holz, Metall etc. installiert werden. Niemals auf entflammaren Oberflächen anbringen! (Plastik, Nylon, Vinyl etc.) Befolgen Sie Abbildungen 1, 2 und 3 auf den Seiten 2-3 bezüglich der Montage- und Sicherheitsabstände.**

- Wenn Ihr Gerät IP34 oder IPX4 oder höher markiert ist, kann es in ungeschützten Außenbereichen installiert werden. Beachten Sie das Label mit dem „IP“-Zeichen auf der Rückseite des Produkts.
- Bohren Sie vier Löcher im erforderlichen Abstand in die Wand, an der das Gerät installiert werden soll.
- Bei Bedarf die mit dem Gerät mitgelieferten Dübel in die Löcher stecken.
- Bringen Sie zwei der L-förmigen Winkel mit dem mitgelieferten Schrauben an die Wand. Bringen Sie die anderen L-Winkel mit vier Schrauben und dem kleinen Schlüssel am Gerät so an, wie in Bild 1 auf Seite 2 dargestellt. (Die zugehörigen Muttern sind im Gehäuse des Geräts integriert.)
- Schrauben Sie die L-Winkel am Gerät und an der Wand mit Schrauben, aneinander. Verwenden Sie dazu die Schrauben, Unterlegscheiben und Flügelmutter.
- Je nach zu beheizendem Bereich kann der Winkel des Gerätes mittels der M8-Bakelit-Schraubengriffe und Muttern zwischen 0 und 35 Grad ein.
- Der Heizer kann an Decke oder Wand montiert werden.  
**Warnung! Falls der Heizer an der Decke montiert wird, kann es je nach Oberfläche zu Verfärbungen kommen.**
- Vor Inbetriebnahme des Gerätes sind die Gelenke nochmals zu prüfen.

### 2.2 INSTALLATIONSANWEISUNGEN FÜR POSITIONIERUNG UND ABSTÄNDE

Zu den Mindestabständen bei horizontaler Installation. Bezüglich den Mindestabständen zum beheizten Bereich und anderen Objekten schauen Sie bitte auf Abbildung 2 auf Seite 2.

### RICHTEN SIE IHREN HEIZER IM GÜNSTIGSTEN WINKEL AUS

Siehe Abbildung 3 auf Seite 3.

- Richten Sie den Strahler nicht auf Fenster, Scheiben etc. aus, weil die hauptsächliche Heizwirkung dort ist, wo der Lichtschein des Heizers sichtbar ist.
- **Modelle ohne „X“ in der Modellbeschreibung dürfen NUR HORIZONTAL montiert werden!** Der maximale Neigungswinkel ist 5 Grad, andernfalls tritt in kurzer Zeit eine Beschädigung auf. Modelle mit „X“ in der Modellbeschreibung, wie die Versionen „XT/XR und RX“ können in jeder Ausrichtung installiert werden. Bei Installation in der Vertikalen oder mit geneigtem Winkel muss der Auslasspunkt des Zuleitungskabels am niedrigsten Punkt sein.

## 2.4 MONTAGE AN DER DECKE ODER IN DER VERTIKALEN

**ACHTUNG!** Bei der Installation von „R“- oder „XR“-Modellen mit der Frontseite nach unten (an der Decke) oder „XR“-Modellen in der Vertikalen (senkrecht) muss der eingebaute Neigungsschalter deaktiviert werden. Um den elektronischen Neigungsschalter zu deaktivieren, befolgen Sie bitte die Schritte 1-4:

1. Ziehen Sie den Netzstecker.
2. Drücken und halten Sie die beiden Tasten (siehe Abbildung F4 auf Seite 3) gleichzeitig.
3. Stecken Sie den Netzstecker wieder ein, während Sie die beiden Tasten gedrückt halten.
4. Warten Sie für 3-5 Sekunden, bis ein Piepton zu hören ist.

Der Neigungsschalter ist nun deaktiviert und der Heizer kann mit der Frontseite nach unten oder vertikal ausgerichtet montiert werden.

Um den Neigungsschalter wieder zu aktivieren wiederholen Sie die Schritte 1-4.

## 3. BEDIENUNGSANWEISUNGEN

Siehe Abbildung 4 auf Seite 3.

### 3.1 THERMOSTAT-VERSIONEN

Modelle, die mit „T“ in der Modellbeschreibung gekennzeichnet sind:

- Sie können die Thermostateinstellung nach Ihrem Wohlempfinden einstellen. Das Thermostat schaltet das Gerät an oder aus, je nach der Temperatur des Gerätekörpers und der gewählten Einstellung.
- Bei höchster Thermostatstellung arbeitet der Heizer ständig. Der Energiebedarf kann durch Einstellung des Thermostats auf das für Ihr Wohlbefinden nötige Niveau einschränken. Ausschalten
- Wenn das Gerät für längere Zeit nicht benutzt wird, Reinigung oder Wartung ausgeführt wird oder wenn der Standort des Heizers geändert wird, wird die Netzverbindung durch Herausziehen des Steckers getrennt und die Thermostateinstellung auf die „0“ geändert.

### 3.2 VERSIONEN MIT FERNSTEUERUNG

Modelle mit „R“ in der Modellbeschreibung:

1. Richten Sie die Fernbedienung bei der Verwendung auf den Empfänger.
2. Die Fernbedienung funktioniert bei starkem Licht oder Sonnenschein nicht aus der Entfernung. In diesem Fall nutzen Sie die Fernbedienung bitte unmittelbar vor dem Bedienfeld.
3. Wenn Sie mit der Fernbedienung eine Funktion auswählen, hören Sie einen Piepton.
4. Um den Heizer ein- oder auszuschalten drücken Sie die rote Taste.
5. Zur Wahl des Heizniveaus wählen Sie eine der Tasten 1-5.

Verwenden Sie in Ihrer Fernbedienung zwei AAA-Batterien. Falls die Fernbedienung längere Zeit nicht genutzt wird, entfernen Sie bitte die Batterien um Auslaufen und Beschädigung zu vermeiden. Es darf kein Wasser oder andere Flüssigkeiten in die Fernbedienung gelangen.

#### 4. GARANTIEBEDINGUNGEN

Die Garantie durch Opranic umfasst keine Defekte, die durch fehlerhafte Verwendung des Gerätes verursacht sind. Die Garantie umfasst keine der folgenden Fälle:

- Schäden und Defekte durch fehlerhafte Verwendung.
- Schäden und Defekte, die durch Transport nach Anlieferung des Gerätes durch das Unternehmen an den Kunden aufgetreten sind.
- Schäden und Defekte, die durch zu niedrige oder zu hohe Spannung, Verwendung nicht geerdeter Stecker, fehlerhaften Stromkreis und Verwendung des Gerätes in einem Netz anderer Spannung als der in der Bedienungsanleitung angegebenen zurückzuführen sind.
- Schäden und Defekte, die aus Feuer und Blitzeinwirkung resultieren.
- Schäden und Defekte durch Reparatur und Wartung nicht autorisierter Dienstleister.
- Schäden, die durch Nichtbeachtung der Anweisungen dieser Anleitung resultieren.
- Schäden und Defekte, die durch Versand des Produktes zur Reparatur eintreten.

**Achtung! Fehlerhafte Wartung und Reinigung sind nicht durch die Garantie abgedeckt.**

- Staub und Schmutz aus der Umgebung.
- Beschädigungen an Reflektor und Heizwendeln durch fehlerhafte Reinigung.
- Fehlerhafte Installation oder Demontage.
- Benutzung mit beschädigter Heizwendel, beschädigtem Rahmen oder Zuleitungskabel.

Die oben angeführten Schäden und Defekte werden nicht durch die Garantie abgedeckt.

Wenn durch Verarbeitung oder Werkstoffe Produktdefekte auftreten, so besteht die Abhilfemaßnahme für den Endkunden ausschließlich in Reparatur oder Ersatz gemäß Garantiebedingungen. Keinesfalls ist Opranic für direkte, folgebedingte oder zufällige Verluste oder Schäden durch Verwendung oder Nichtverwendbarkeit dieses Produkts haftbar.

Diese Garantie erlischt, wenn die Garantieerklärung nicht Stempel und Unterschrift des Lieferanten sowie das Verkaufsdatum enthält.

Die Garantie erlischt, wenn die Seriennummer (soweit zutreffend), Modellnummerbezeichnung, oder Marke ganz oder teilweise entfernt oder gelöscht wurden.

Alle Opranic-Markenprodukte haben ein CE-Zertifikat.



Dieses Symbol auf dem Produkt oder der Verpackung weist darauf hin, dass das Produkt nicht als normaler Hausabfall behandelt werden darf; es muss an einem Recycling-Sammelpunkt für elektrische und elektronische Haushaltsgeräte abgegeben werden.

Durch die sachgemäße Entsorgung dieses Produkt tragen Sie zum Schutz der Umwelt und der Gesundheit Ihrer Umgebung bei. Durch falsche Entsorgung werden Gesundheit und Umwelt in Gefahr gebracht. Weitere Informationen zum Recycling dieses Produktes erhalten Sie über Ihr Rathaus, Ihren Abfallentsorger oder das Geschäft, in dem Sie das Produkt gekauft haben.

# Merci d'avoir choisi Opranic !

En achetant votre nouveau produit, vous avez choisi un appareil moderne et de haute qualité. Ce manuel a été conçu pour les séries ECO, NOVA et LAVA de la marque Opranic. Pour des raisons de sécurité et pour assurer votre satisfaction, veuillez lire attentivement ce manuel avant l'installation et suivre les consignes qui y figurent.

Veuillez garder ce manuel en lieu sûr pour éventuelle consultation ultérieure.

Pour plus d'informations, veuillez contacter votre revendeur ou importateur sur : <https://opranic.com>. Contactez-nous :

Web : <https://opranic.com>

E-mail : [info@opranic.com](mailto:info@opranic.com) Fabriqué en Turquie

Version 3.01 du manuel

© Opranic 2018

## TABLE DES MATIÈRES

1. SÉCURITÉ .....	PAGE 47
1.1 CONSIGNES DE SÉCURITÉ .....	PAGE 47
1.2 DISTANCES DE SÉCURITÉ .....	PAGE 47
1.3 MAINTENANCE ET NETTOYAGE .....	PAGE 48
1.4 GARANTIE .....	PAGE 48
1.5 RÉPARATIONS ET ENTRETIEN .....	PAGE 49
2. INSTALLATION.....	PAGE 49
2.1 CONSIGNES D'INSTALLATION .....	PAGE 49
2.2 CONSIGNES D'INSTALLATION (POSITION + DISTANCE) .....	PAGE 49
2.3 CONSIGNES D'INSTALLATION AVEC BONNE ET MAUVAISE POSITIONS .....	PAGE 49
2.4 FIXATION AU PLAFOND OU À LA VERTICALE.....	PAGE 50
3. CONSIGNES D'UTILISATION .....	PAGE 50
3.1 MODÈLES À THERMOSTAT .....	PAGE 50
3.2 MODÈLES À TÉLÉCOMMANDE .....	PAGE 50
4. CONDITIONS DE GARANTIE .....	PAGE 51

# 1. SÉCURITÉ

## 1.1 CONSIGNES DE SÉCURITÉ

- Lire attentivement ces instructions avant l'installation et l'utilisation. Conserver ce manuel pour référence ultérieure.
- S'assurer que l'appareil et son cordon d'alimentation sont en bon état avant tout emploi.
- Bien examiner l'appareil afin de déceler la présence d'éventuelles fissures, disjonctions ou rayures sur le filament (tube chauffant). Le cas échéant, contacter le service technique agréé. Si votre appareil ou votre cordon d'alimentation est endommagé, ne pas l'utiliser et le renvoyer au service technique.
- S'assurer que le circuit électrique principal est de 220-240V et de 50-60Hz et que le branchement est protégé par fusible. Vérifier la sécurité du réseau.
- Le fusible doit être au minimum de 10A pour les puissances à hauteur de 2300W et de 16A pour les puissances atteignant 3680W.
- Ne pas utiliser votre chauffage Opranic si un autre appareil est branché sur les mêmes prises multiples ou rattaché au même fusible.
- Utiliser votre appareil avec une fiche correctement mise à la terre
- La fiche mise à la terre doit se trouver en dehors du rayonnement et de la surface chaude de l'appareil.
- L'appareil ne doit pas être utilisé en dessous de la prise de courant.
- Le cordon d'alimentation ne doit pas être laissé sur l'encadrement de votre appareil Opranic, ou autour de celui-ci.
- Débrancher votre appareil si vous prévoyez de ne pas vous en servir pendant un certain temps, ou pour son nettoyage ou son entretien.
- Si l'appareil est monté dans des locaux tels qu'une salle de bain, impérativement veiller à ce que les personnes qui prennent une douche ne puissent entrer en contact ni avec l'appareil, ni avec les touches de commande.
- L'usage de cet appareil est uniquement réservé aux personnes de plus de 8 ans.
- Cet appareil peut être utilisé par les enfants de plus de 8 ans et les personnes à capacités physiques, sensorielles ou mentales réduites, ou ayant un manque d'expérience et de connaissances, à condition que celles-ci soient surveillées, ou aient reçu des consignes concernant l'utilisation de l'appareil en prenant toutes les précautions d'usage et qu'elles comprennent les dangers de cet usage. Les enfants ne doivent pas jouer avec l'appareil. Le nettoyage et l'entretien ne doivent pas être effectués par des enfants sans surveillance.

## 1.2 DISTANCES DE SÉCURITÉ

- Voir la figure 2 à la page 2 pour consulter les consignes de montage et les distances de sécurité.
- Ne jamais installer votre appareil sur une surface combustible (plastique, nylon, carton, etc.).
- Durant le fonctionnement, les surfaces de l'appareil sont chaudes !
- L'appareil ne doit en aucun cas être entièrement ou partiellement recouvert de matériaux inflammables, car toute surchauffe peut entraîner un risque d'incendie !
- Ce produit n'est pas conçu pour être utilisé par des enfants ou des personnes à capacités physiques ou mentales réduites, ou ayant un manque d'expérience et de

connaissances, à moins que des consignes d'utilisation du produit n'aient été données par une personne responsable de leur sécurité ou que cette personne en supervise l'utilisation. Les enfants doivent être surveillés pour s'assurer qu'ils ne jouent pas avec le produit.

- L'appareil de chauffage est équipé d'une grille de protection pour éviter tout contact avec la chaleur de la lampe. L'appareil ne doit pas être utilisé sans cette grille de protection.
- S'assurer qu'aucun matériau inflammable n'est placé sur l'appareil ou à proximité de celui-ci.
- Veiller au respect d'un espace libre d'un minimum de 1 m entre le rayonnement et tout matériau inflammable.
- La distance minimale du sol doit être d'au moins 1,8 mètre.
- Ne pas placer l'appareil directement sous la prise de courant.
- Le câble et la fiche ne doivent pas être placés à l'intérieur de la zone de rayonnement.
- Ne rien coller dans la grille de protection.
- Ne pas utiliser votre appareil de chauffage pour allumer des cigarettes ou des produits similaires.

#### **AVERTISSEMENT – POUR RÉDUIRE LES RISQUES D'INCENDIE**

1. Ne placer aucun objet (meubles, papiers, draps, rideaux) à moins de 1 m de l'avant de l'appareil, et n'en placer aucun sur les côtés ou à l'arrière lorsque celui-ci est branché.
2. Ne jamais placer l'appareil près d'un lit, car des objets (oreillers ou couvertures) peuvent en tomber et prendre feu. Toujours débrancher l'appareil de chauffage si ne vous en servez pas.
3. Éviter d'utiliser une rallonge électrique en raison de son risque de surchauffe et d'incendie. Cependant, si vous devez utiliser une rallonge, le cordon doit avoir une taille minimale de 2mm (14 AWG) et d'une puissance d'au moins 10A.
4. Ne pas allumer à une distance de moins de 7,6 m d'un matériau inflammable (essence, alcool, etc.).
5. Ne jamais bloquer la grille avant de l'appareil de chauffage.
6. Ne jamais essayer de réparer l'appareil sans en débrancher la source d'alimentation.

#### **1.3 MAINTENANCE ET NETTOYAGE**

- Débrancher d'abord votre appareil de chauffage.
- Ne jamais tirer sur le câble d'alimentation pour débrancher votre appareil de chauffage.
- Débrancher le câble d'alimentation.

Lorsque l'appareil est utilisé pour la première fois ou après une longue période d'inutilisation, de la fumée ou des odeurs peuvent s'en dégager en raison de la poussière ou de la saleté susceptible de s'être accumulée sur l'élément. Cela est tout à fait normal et disparaît en un rien de temps. L'appareil doit être débranché lors de son entretien, ou de toute réparation et maintenance. L'appareil ne comporte pas d'éléments mobiles, ce qui réduit les besoins d'entretien, mais il doit être maintenu propre et exempt de poussière et de saleté. Si le réflecteur n'est pas propre, le rayonnement thermique de l'appareil s'en trouve diminué et l'appareil devient plus chaud. La saleté en grande quantité peut causer une surchauffe. La surface du réflecteur est sensible et doit être nettoyée avec précaution. Si le réflecteur est sale, il doit être nettoyé ou remplacé par un spécialiste.

#### **1.4 GARANTIE**

La garantie applicable aux séries Eco, Nova et Lava de la marque Opranic est de 2 ans. Veuillez lire la rubrique garantie pour connaître les conditions de garantie.



## 1.5 RÉPARATIONS ET ENTRETIEN

Attention ! Seuls les services techniques et le personnel agréés par Opranic sont autorisés à entretenir, réparer et remplacer les pièces de cet appareil.

## 2. INSTALLATION

### 2.1 CONSIGNES D'INSTALLATION

Attention ! L'appareil doit être installé sur une surface dure (béton, le bois ou métal). Ne jamais installer sur une surface inflammable (plastique, nylon, vinyle, etc.). Voir les figures 1,2 et 3 à la page 2-3 pour consulter les consignes de montage et les distances de sécurité.

- Si votre appareil est marqué IP34 ou IPX4 ou plus, il peut être monté à l'extérieur dans des zones extérieures non protégées. La marque « IP » se trouve sur l'étiquette au dos du produit.
- Percer quatre trous sur le mur à l'endroit où l'appareil doit être installé, en respectant les distances.
- Insérer (si nécessaire) les chevilles murales fournies avec l'appareil, dans les trous.
- Fixer deux des pieds en L au mur à l'aide des vis fournies avec l'appareil. Fixer les autres pieds en L sur l'appareil à l'aide des quatre vis et de la petite clé, comme illustré dans le schéma 1 à la page 2 (les écrous correspondants sont intégrés au corps de l'appareil).
- Monter et fixer les pieds en forme de L sur le mur et sur l'appareil respectivement, à l'aide des boulons, écrous et les rondelles et resserrer le tout.
- En fonction de la zone à chauffer, l'angle de l'appareil peut être réglé de 0 à 40° degrés à l'aide du boulon à tête Bakelite M8 et de l'écrou de fixation.
- L'appareil peut se fixer au plafond ou au mur.
- Avertissement ! En cas d'installation au plafond, l'appareil de chauffage peut en décolorer la surface en fonction du matériau dont elle est constituée.
- Avant la mise en service, vérifier une nouvelle fois les joints de l'appareil.

### 2.2 CONSIGNES D'INSTALLATION (POSITION + DISTANCE)

Pour s'informer sur les distances de sécurité minimales en cas d'installation horizontale. Pour s'informer sur la distance minimale entre la zone de rayonnement et d'autres objets, voir la figure 2 à la page 2.

### 2.3 CONSIGNES D'INSTALLATION (BONNE ET MAUVAISE POSITIONS)

**ORIENTER VOTRE APPAREIL DE CHAUFFAGE VERS L'ANGLE LE PLUS APPROPRIÉ**

Voir la figure 3 à la page 3.

Ne pas laisser la lumière de l'appareil s'échapper par la fenêtre, les vitres, etc. car l'élément chauffant réchauffe principalement les endroits sur lesquels sa lumière tombe.

Les modèles dont la description ne comporte pas « d'X » peuvent SEULEMENT se monter à l'HORIZONTALE ! L'inclinaison/angle maximum est de 50, sinon l'appareil s'abîmera en peu de temps. Les modèles dont la description comporte un « X », comme les versions « XT/XR et RX » peuvent se monter dans n'importe quelle direction. La prise du cordon d'alimentation doit se trouver au point le plus bas lorsqu'elle est utilisée à la verticale ou en angle incliné.

## 2.4 FIXATION AU PLAFOND OU À LA VERTICALE

### ATTENTION!

Lors du montage des modèles « R » ou « XR » face vers le bas (du plafond), ou du modèle « XR » (à la verticale), l'interrupteur d'inclinaison intégré doit être désactivé.

Pour désactiver le commutateur d'inclinaison électronique, suivre les étapes 1-4 :

1. Débrancher le cordon d'alimentation.
  2. Appuyer sur les deux touches (voir figure F4 à la page 3) en même temps et les maintenir enfoncées.
  3. Brancher le cordon d'alimentation (tout en maintenant les deux touches enfoncées).
  4. Attendre 3 à 5 secondes jusqu'à ce qu'un « bip » sonore retentisse.
- L'interrupteur d'inclinaison est désormais désactivé, et l'appareil de chauffage peut être monté face vers le bas ou à la verticale.
- Pour activer le commutateur d'inclinaison, refaire les étapes 1-4.

## 3. CONSIGNES D'UTILISATION

Voir la figure 4 à la page 3.

### 3.1 MODÈLES À THERMOSTAT

Modèles dont la description comporte un « T » :

Le thermostat est réglable pour assurer votre confort. Le thermostat met l'appareil sous et hors tension par cycles en fonction de la température du corps de l'appareil et du réglage de chaleur souhaité.

L'appareil fonctionne constamment si le thermostat est réglé à son niveau le plus haut.

Vous pouvez réduire la consommation d'énergie en ajustant le thermostat pour assurer votre confort.

ÉTEINDRE : L'appareil doit être éteint si l'on ne s'en sert pas pendant un certain temps, pendant le nettoyage, lors de l'entretien ou si on le déplace. On coupe l'électricité en débranchant le cordon d'alimentation et en réglant le thermostat sur « 0 ».

### 3.2 MODÈLES À TÉLÉCOMMANDE

Modèles dont la description comporte un « R » :

1. Pour se servir de la télécommande, la diriger vers le récepteur.

La télécommande ne fonctionnera pas à distance en présence d'un fort éclairage ou de la lumière du soleil. Dans ce cas, pointer la télécommande juste devant le panneau de commande.

2. Lorsque l'on sélectionne une fonction à l'aide de la télécommande, un « bip » sonore retentit.

3. Pour allumer ou éteindre votre appareil de chauffage, appuyer sur le bouton rouge.

4. Pour sélectionner le niveau de chauffage, appuyer sur les touches 1 à 5 selon vos besoins.

Pour alimenter la télécommande, y placer deux piles AAA. Si vous n'avez pas l'intention de vous servir de la télécommande pendant un certain temps, il est conseillé de retirer les piles pour éviter les risques de fuite et de dommages.

Ne pas laisser de l'eau ou du liquide s'infiltrer dans la télécommande.

## 4. CONDITIONS DE GARANTIE

La garantie d'Opranic ne couvre pas les défauts résultant d'une mauvaise utilisation de l'appareil. La garantie ne couvre pas les situations ci-dessous :

- Les dégâts et défauts résultant d'une mauvaise utilisation.
- Les dégâts et défauts survenus pendant le transport après la livraison du produit au client par l'entreprise.
- Les dégâts et défauts résultant d'une tension basse ou excessive, de l'utilisation d'une fiche non mise à la terre, de systèmes électriques défectueux, du fonctionnement de l'appareil selon des valeurs de tension différentes de celles spécifiées dans les consignes.
- Les dégâts et défauts résultant du feu et de l'éclair.
- Les dégâts et défauts résultant des réparations et de l'entretien effectués par des personnes autres que du personnel des services autorisés.
- Les défauts résultant de la violation des consignes du manuel.
- Les dégâts et défauts dus à l'expédition pour réparation

Attention ! Les défauts d'entretien et de nettoyage ne sont pas couverts par la garantie.

- La poussière et les pollueurs dans l'environnement.
- Les dégâts au réflecteur ou au filament dus à un nettoyage défectueux.
- Installation ou démontage défectueux.
- Fonctionnement avec filament, cadre ou cordon d'alimentation endommagé.

Les défauts et services susmentionnés ne sont pas couverts par la garantie.

Si ce produit s'avère défectueux au niveau de sa fabrication ou de ses matériaux, les seuls recours du consommateur seront la réparation ou le remplacement tel que prévu par les conditions de cette garantie. Opranic décline toute responsabilité concernant la perte ou les dégâts directs, indirects ou accessoires résultant de l'utilisation de ce produit ou de l'impossibilité de l'utiliser.

Cette garantie sera annulée si le certificat de garantie ne porte pas le cachet et la signature du fournisseur ainsi que sa date d'achat.

Cette garantie sera annulée si le numéro de série (le cas échéant) et le numéro ou la marque du modèle ont été entièrement ou partiellement enlevés ou effacés. Tous les produits de la marque Opranic sont certifiés CE.



Ce symbole sur le produit ou son emballage indique que l'appareil ne peut pas être traité comme ordures ménagères ordinaires, mais doit être remis à un point de collecte pour le recyclage des appareils électriques et électroniques.

Votre contribution à l'élimination correcte de ce produit protège l'environnement et la santé de vos semblables. Son élimination incorrecte pose des risques à la santé et à l'environnement. Vous pourrez davantage vous renseigner sur le recyclage de ce produit auprès de votre mairie, de votre service de collecte des ordures, ou dans le magasin où vous aurez acheté ce produit.

# Gracias por elegir OPRANIC!

Usted ha elegido, con la compra de este producto, un electrodoméstico moderno y de alta calidad. Este manual, ha sido diseñado para las series de Opranic: ECO y NOVA & LAVA. Para garantizar su seguridad y la mejor satisfacción, antes de la instalación lea atentamente este manual y siga las instrucciones detalladas. Conserve este manual en un lugar seguro, para futuras consultas.

Para mayor información, comuníquese con el distribuidor o importador en su país, a través de <https://opranic.com>

Datos de Contacto:

Sitio Web: <https://opranic.com>

Correo electrónico: [info@opranic.com](mailto:info@opranic.com)

Hecho en Turquía

Versión Manual. 3.01

© Opranic 2018

## INDICE

1. SEGURIDAD .....	PAGINA 53
1.1 INSTRUCCIONES DE SEGURIDAD .....	PAGINA 53
1.2 SEGURIDAD EN DISTANCIAS.....	PAGINA 53
1.3 MANTENIMIENTO Y LIMPIEZA .....	PAGINA 54
1.4 CERTIFICADO DE GARANTIA .....	PAGINA 55
1.5 REPARACIONES Y SERVICIOS .....	PAGINA 55
2. INSTALACION .....	PAGINA 55
2.1 INSTRUCCIONES DE INSTALACION.....	PAGINA 55
2.2 INSTRUCCIONES DE INSTALACION: UBICACION+DISTANCIA .....	PAGINA 55
2.3 INSTRUCCIONES DE INSTALACION PARA UNA UBICACION ADECUADA.....	PAGINA 55
2.4 INSTALACION VERTICAL U HORIZONTAL.....	PAGINA 56
3. INSTRUCCIONES OPERATIVAS .....	PAGINA 56
3.1 VERSIONES TERMOSTATICAS .....	PAGINA 56
3.2 VERSIONES OPERADAS POR CONTROL REMOTO.....	PAGINA 56
4. TERMINOS DE LA GARANTIA .....	PAGINA 57

# 1. SEGURIDAD

## 1.1 INSTRUCCIONES DE SEGURIDAD

- Lea estas instrucciones atentamente, antes de instalar y utilizar su producto. Conserve este manual para posteriores consultas. Previamente, verifique que existan daños en su electrodoméstico y/o el cable de alimentación, antes del inicio de su instalación.
- Verifique que no haya rupturas, desunión de las piezas o rayaduras en el filamento (tubo de calentamiento). Si detecta alguna evidencia, contactese al servicio técnico autorizado, en su país. Si su electrodoméstico o el cable de alimentación se encuentra dañado, no lo instale ni realice prueba alguna. Devuélvalo al servicio técnico, en su país.
- Verifique la seguridad de la red y asegúrese, al mismo tiempo, que el voltaje sea de 220-240 V y 50-60 Hz y que la conexión esté fusionada.
- El fusible mínimo, debe ser de 10 A para potencias de hasta 2300 W y 16 A para potencias de hasta 3680 W.
- No enchufe su calentador Opranic en un enchufe de uso múltiple, junto con otros aparatos o conectado al mismo fusible.
- Utilice su electrodoméstico con un enchufe, que contenga incluida la toma a tierra.
- El enchufe con toma a tierra, debe ubicarse a distancia del área de calefacción y sin contacto con superficie donde haya temperatura elevada.
- El dispositivo no debe ser utilizado, debajo del tomacorriente.
- El cable de alimentación, no debe ubicarse sobre o alrededor del marco de su dispositivo Opranic.
- Desconecte el dispositivo Opranic, cuando no lo utilice por un período prolongado de tiempo o realice limpieza o mantenimiento del mismo.
- Si el dispositivo se encuentra en ambientes tales como el baño, tenga la precaución de instalarlo evitando que las personas al ducharse, entren en contacto con el dispositivo y puedan manejarlo a través de las teclas de función.
- Este dispositivo, solo debe ser utilizado por personas mayores de 8 años.
- Las personas con capacidades físicas, sensoriales o mentales reducidas o sin experiencia y conocimiento, solo podrán manejarlo si se encuentran supervisados o han sido instruido sobre el uso del artefacto, de una manera segura y comprenden los riesgos existentes.
- Los niños no deben jugar con el aparato. La limpieza y el mantenimiento por parte del usuario, no deben ser realizados por niños sin supervisión de un adulto.

## 1.2 SEGURIDAD EN DISTANCIAS

- Consulte la figura 2 en la página 2, para conocer las distancias de montaje y seguridad.
- Nunca instale su electrodoméstico en una superficie de material combustible (plásticos, nylon, cartón, etc.)
- Durante el funcionamiento, las superficies de la unidad elevan su temperatura.
- La unidad no debe cubrirse total o parcialmente con materiales inflamables, ya que el sobrecalentamiento puede ocasionar riesgo de incendio!
- Este producto no está diseñado para que lo utilice niños o personas con capacidades físicas o mentales reducidas o por falta de experiencia y conocimiento, a menos que una persona responsable de la seguridad le haya detallado las instrucciones para el manejo del producto y que supervise la operación, en el momento que ocurra.

- Los niños deben ser supervisados, por su seguridad y para asegurar que no jueguen con el producto.
- El calentador está cubierto, por una rejilla que evita el contacto con la lámpara, ya sea humano como de objetos voluminosos. Este artefacto, no debe usarse sin la rejilla de protección.
- Asegúrese de que no haya materiales inflamables cercanos o en contacto, con el artefacto.
- La distancia de cualquier material inflamable, en la dirección propagada por la radiación debe ser de al menos 1 metro.
- La distancia al piso debe ser de mínimo 1,8 metros.
- No coloque el artefacto, directamente debajo del tomacorriente.
- El cable y el enchufe no deben ubicarse, en el área de radiación.
- No adhiera nada, en la rejilla de protección.
- No utilice este artefacto, para encender cigarrillos o materiales semejantes.

#### **ADVERTENCIA PARA LA REDUCCION DEL RIESGO DE INCENDIO**

1. No ubique muebles, papeles, telas y cortinas a menos de 1 metro de la parte delantera del artefacto y manténgalos alejados de costados y la parte posterior del artefacto, cuando esté enchufado.
2. No coloque el artefacto, cerca de la cama dado que las almohadas o mantas pueden caerse al suelo e iniciar un incendio, a causa de su exposición al calentador.
3. Siempre desenchufe el calentador, si no lo utiliza.
4. Evite la utilización de cables de alargue ya que puede sobrecalentarse y causar un riesgo de incendio. Sin embargo, si resulta imprescindible su uso por la distancia al enchufe de pared, el accesorio eléctrico deberá tener un tamaño mínimo de 2 mm (14 AWG) y una clasificación no inferior a 10A.
5. No lo utilice dentro de 7,6 m de material inflamable (gasolina, alcohol, etc.)
6. Nunca bloquee ni tape, la rejilla de protección del artefacto.
7. Nunca intente reparar el calentador, sin desconectarlo previamente, de su fuente de alimentación.

### **1.3 MANTENIMIENTO Y LIMPIEZA**

- En primer lugar, desenchufe su artefacto.
- No tire del cable de alimentación, para desenchufar el artefacto.
- Desenchufe el cable de alimentación.

Cuando la unidad se utiliza, por primera vez o después de un largo período sin utilizarse, puede generarse humo u olor, debido al polvillo o suciedad acumulada. Esto es normal y dura un periodo corto de tiempo. La fuente de alimentación de la unidad, debe estar desenchufada durante un evento de servicio, reparación y trabajos de mantenimiento. La unidad no tiene piezas móviles, así que su mantenimiento es sencillo. Aún así, debe mantenerse limpio y libre de suciedad.

La causa del sobrecalentamiento, es la suciedad. Si el reflector no está suficientemente limpio, la radiación térmica de la unidad disminuye y el calentador se recalienta. La superficie del reflector es sensible y debe tratarse con cuidado.

Si el reflector está sucio, se recomienda su limpieza o reemplaza, por un especialista.

## 1.4 CERTIFICADO DE GARANTIA

La garantía para Series Opranic Eco, Nova y Lava es de 2 (dos) años. Lea la sección de garantía para conocer los términos de la garantía.

## 1.5 REPARACIONES Y SERVICIOS

¡Precaución! Únicamente, los servicios técnicos y las personas autorizadas por Opranic, pueden realizar servicios de mantenimiento, reparación y reemplazo de sus piezas.

## 2. INSTALACION

### 2.1 INSTRUCCIONES DE INSTALACION

¡Atención! El electrodoméstico debe ser instalado, en superficies sólidas como hormigón, madera o metal, etc. ¡Nunca lo instale en superficies que contenga material inflamable, tales como plástico, nylon, etc.! Consulte las figuras 1, 2 y 3 en la página 2-3 para conocer las distancias de instalación y medidas de seguridad.

- Si su dispositivo, contiene la marca IP34 o IPX4 o superior, puede instalarse en áreas al aire libre (sin techos cubiertos). Verifique la etiqueta para la marca "IP", en la parte posterior del producto.
- Con un taladro, realice cuatro perforaciones en la pared, siguiendo la recomendación de las distancias adecuadas para la instalación de su artefacto.
- Inserte los tacos de pared en los orificios (si es necesario), suministrados junto con la unidad.
- Fije, con los tornillos suministrados con la unidad, dos de las patas en forma de L en la pared.
- Fije, con los cuatro tornillos y la llave como se muestra en imagen 1 en la página 2 (las tuercas están anexadas al cuerpo de la unidad), las otras patas L en su unidad.
- Instale y fije las patas en forma de L en la pared y en la unidad respectivamente, usando los pernos y las tuercas junto con las arandelas, y presiónelos hasta que queden fijados y firmes.
- Dependiendo del area donde quiera focalizar el calor, el ángulo de la unidad puede ajustarse, entre 0-40 grados, por medio del perno de cabeza de baquelita M8 y la tuerca.
- El calentador se puede instalar, en el techo o la pared.
- ¡Advertencia! En el caso de una instalación en el techo, el artefacto puede desvanecer el color original de la superficie, dependiendo del material.
- Antes de operar la unidad, realice un examen conjunto de su instalación y conexión a eléctrica, nuevamente.

### 2.2 INSTRUCCIONES DE INSTALACION: UBICACION+DISTANCIA

Consulte la figura 2 en la página 2, para identificar las distancias mínimas de seguridad en caso de instalaciones horizontales, áreas de cobertura y ubicación de otros objetos.

### 2.3 INSTRUCCIONES DE INSTALACION PARA UNA UBICACION ADECUADA

ORIENTE SU ARTEFACTO, HACIA EL ÁNGULO MÁS CONVENIENTE.

Ver la figura 3 en la página 3. Tenga la precaución de no instalar el artefacto, en una dirección cuya radiación se enfoque hacia areas donde se proyecta la luz solar (tales como ventanas, vasos, etc.), dentro del ambiente, ya que su convergencia, provoca un riesgo de incendio. ¡Los modelos sin "X" en su descripción ÚNICAMENTE pueden instalarse de manera HORIZONTAL! La inclinación / ángulo máximo es de 5 grados, de lo contrario, el

calentador se dañará en el corto plazo. Los modelos con “X” en su descripción como las versiones “XT / XR y RX” se pueden instalar en cualquier orientación. La salida del cable de alimentación debe estar en el punto más bajo, cuando se implementa en un ángulo vertical o que no se encuentre inclinado.

## 2.4 INSTALACION VERTICAL U HORIZONTAL

¡ATENCIÓN! Al instalar los modelos “R” o “XR” con la pantalla hacia abajo (instalación en el techo) o “XR” en la dirección vertical, el interruptor de inclinación incorporado, debe desactivarse.

Para desactivarlo, siga los pasos 1-4;

1. Desenchufe el cable de alimentación.
2. Mantenga presionados los dos botones (Ver figura F4 Página 3), en forma conjunta.
3. Enchufe el cable de alimentación (mientras mantiene presionados los dos botones).
4. Espere 3-5 segundos hasta que suene un suave “beep”.

El interruptor de inclinación ahora está desactivado, y el calentador se puede instalar horizontal o verticalmente. Para activarlo nuevamente, repita los pasos 1-4.

## 3. INSTRUCCIONES OPERATIVAS

Ver figura 4 en página 3.

### 3.1 VERSIONES TERMOSTATICAS

Modelos marcados con “T” en la descripción del modelo:

Los niveles del termostato, pueden ajustarse de acuerdo a su necesidad. El termostato enciende y apaga la unidad por ciclos, dependiendo de su temperatura y la configuración de nivel preferida por Usted.

El calentador funciona, de manera constante, cuando el termostato está en el nivel más alto. Puede reducir el consumo de energía ajustando el termostato según su necesidad.

El aparato debe apagarse cuando:

- No se utiliza por un período prolongado,
- Se realiza su limpieza,
- Se lleva a cabo el mantenimiento
- Cuando se reinstala en otra la ubicación.

La conexión eléctrica se desconecta desenchufando el cable de alimentación y ajustando el termostato al valor “0”.

### 3.2 VERSIONES OPERADAS POR CONTROL REMOTO

Modelos marcados con “R” en la descripción del modelo:

1. Maneje el control remoto, orientando el mismo directamente de frente al artefacto.
2. El control remoto, no funcionará cuando haya excesiva luz o luz solar. En este caso, utilice el control remoto justo en frente del panel de control.
3. Al seleccionar una función en el control remoto, escuchará un suave “beep”.
4. Para encender o apagar, el artefacto presione el botón rojo.
5. Para seleccionar el nivel de calentamiento, presione los botones entre 1-5, según su necesidad.

El control remoto opera con dos pilas triple AAA. Cuando el control remoto no sea utilizado, por un período prolongado, retire las baterías para evitar daños. Evite el contacto del control remoto con el agua o cualquier otro líquido.



## 4. TERMINOS DE LA GARANTIA

La garantía de Opranic, no cubre las fallas ocasionadas por el uso indebido del artefacto. La garantía no cubre las siguientes situaciones:

- Los daños y fallas, ocasionados por el uso indebido.
- Los daños y fallas producidos durante el transporte, una vez que el producto fue entregado al cliente por parte de la empresa.
- Los daños y fallas, provenientes de un voltaje bajo o excesivo, del uso de enchufes sin toma a tierra, sistemas eléctricos defectuosos, que operan el aparato con variación de voltaje del especificado en estas instrucciones.
- Los daños y fallas, producidos por incendios y caídas de rayo.
- Los daños y fallas, por reparaciones y mantenimiento realizados por personas no autorizadas de los Servicios Autorizados.
- Las fallas, producidas por el incumplimiento de las instrucciones en el manual.
- Daños y fallas, durante el envío para su reparación.

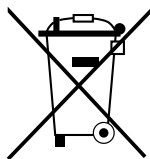
¡Atención! La garantía no cubre, fallas producidas por un mantenimiento o la limpieza defectuosa.

- El polvillo y los contaminantes provenientes del medio ambiente.
- Daño en el reflector o filamento, causados por una limpieza defectuosa.
- Instalación o desarmado del artefacto, de forma defectuosa.
- Utilización del artefacto con el filamento dañado, marco o cable de alimentación.

Los defectos y servicios mencionados, no están cubiertos por la garantía.

Si se comprueba que este producto es defectuoso en todo o en parte de origen, el único recurso del consumidor es la reparación o el reemplazo, según lo estipulado por los términos de esta garantía. Bajo ninguna circunstancia, Opranic será responsable de ninguna pérdida o daño, directo, consecuente o accesorio, procedente del mal uso o su imposibilidad para utilizar, este producto.

Esta garantía es válida únicamente con el sello y firma del proveedor, junto con la fecha de compra. La misma quedará anulada si el certificado de garantía carece del sello y la firma del proveedor, así como de la fecha de compra. Esta garantía quedará anulada si el número de serie (si corresponde), número de modelo o Identificación han sido eliminados o borrados total o parcialmente. Todos los productos de la marca Opranic tienen certificado CE.



Este símbolo -en el producto o su embalaje- significa que el aparato no puede eliminarse como basura común, sino que debe entregarse en un punto de reciclaje específico, para aparatos eléctricos y electrónicos.

Su contribución, para su correcta eliminación protege el medio ambiente y la salud de los habitantes. La salud y el medioambiente, están en peligro por desechar este tipo de productos de manera incorrecta. Para más información, acerca del proceso de reciclaje de este tipo de productos, pongase en contacto con su municipio local, su servicio de recolección de basura o en la tienda donde compró el producto.

OPRANIC®

© OPRANIC TECHNOLOGIES AB  
SWEDEN  
<https://opranic.com>