

Slik leser du de nye produktbeskrivelsene:

- N = Nobø
- F = Frontutslipp
- C = Type front plate
- 4 = Høyde x 10cm
- N = Normalovn (uten kontrollmodul)
- 05 = Effekt x 100W

- D = Dimplex
- T = Topputtslipp
- D = Type frontplate
- 4 = Høyde x 10cm
- W = Med ratt
- 05 = Effekt x 100W

NTE-4, NFC-4

Nobø Top	Nobø Front	Watt	A mm	B mm	C mm
NTE4 02	NFC4 02	250	425	138	150
NTE4 05	NFC4 05	500	525	163	200
NTE4 07	NFC4 07	750	625	163	300
NTE4 10	NFC4 10	1000	725	213	300
NTE4 12	NFC4 12	1250	925	263	400
NTE4 15	NFC4 15	1500	1025	213	600
NTE4 20	NFC4 20	2000	1125	263	600
NTE4 24	NFC4 24	2400	1425	213	1000

DTD-4, DFB-4

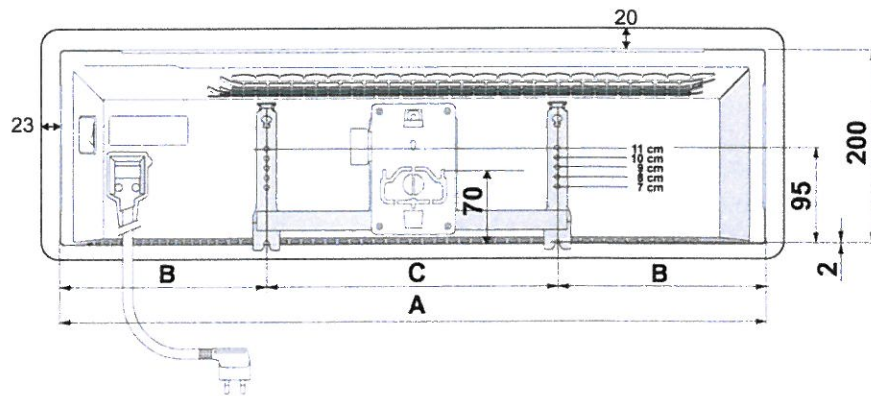
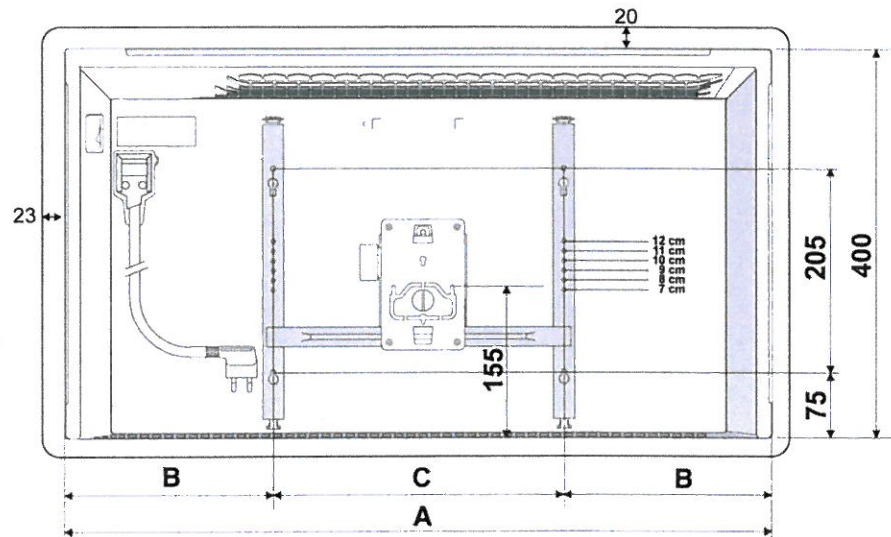
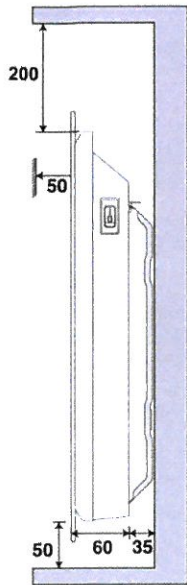
Dimplex Top	Dimplex Front	Watt	A mm	B mm	C mm
DTD4 02	DFB4 02	250	430	140	150
DTD4 05	DFB4 05	500	530	165	200
DTD4 07	DFB4 07	750	630	165	300
DTD4 10	DFB4 10	1000	730	215	300
DTD4 12	DFB4 12	1250	930	265	400
DTD4 15	DFB4 15	1500	1030	215	600
DTD4 20	DFB4 20	2000	1130	265	600
DTD4 24	DFB4 24	2400	1430	215	1000

NTE-2, NFC-2

Nobø Top	Nobø Front	Watt	A mm	B mm	C mm
NTE2 02	NFC2 02	250	525	163	200
NTE2 05	NFC2 05	500	725	213	300
NTE2 07	NFC2 07	750	1025	213	600
NTE2 10	NFC2 10	1000	1325	363	600
NTE2 12	NFC2 12	1250	1525	263	1000
NTE2 15	NFC2 15	1500	1725	363	1000

DTD-2, DFB-2

Dimplex Top	Dimplex Front	Watt	A mm	B mm	C mm
DTD2 02	DFB2 02	250	530	165	200
DTD2 05	DFB2 05	500	730	215	300
DTD2 07	DFB2 07	750	1030	215	600
DTD2 10	DFB2 10	1000	1330	365	600
DTD2 12	DFB2 12	1250	1530	265	1000
DTD2 15	DFB2 15	1500	1730	365	1000

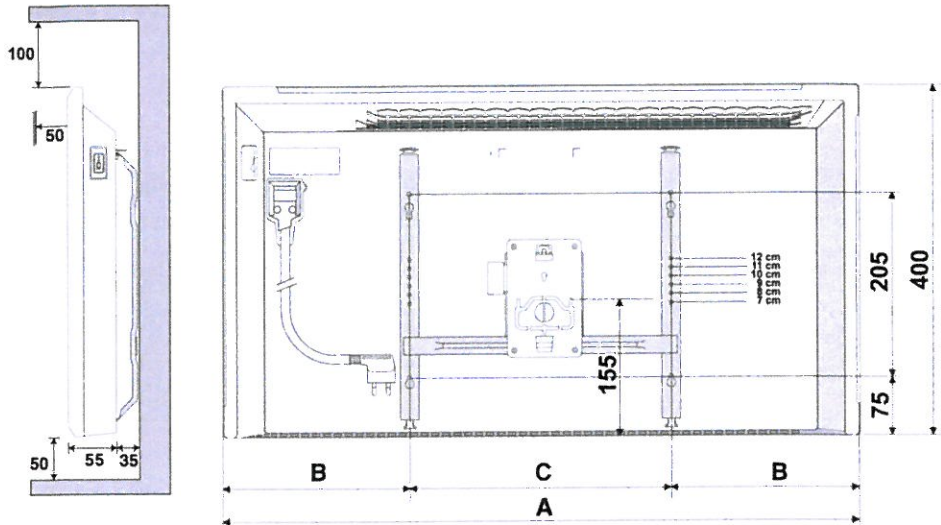


NTG4, NTH4

Nobe Top Glass	Nobe Top Glass	Watt	A mm	B mm	C mm
NTG4 10	NTH4 10	1000	775	238	300

NTG2, NTH2

Nobe Top Glass	Nobe Top Glass	Watt	A mm	B mm	C mm
NTG2 07	NTH2 07	750	975	188	600



DTD4-L, DTD4-Y

Dimplex Lavtemperert	Dimplex Lavtemp. X-ovn	Watt	A mm	B mm	C mm
DTD4-L 04	DTD4-Y 04	400	730	215	300
DTD4-L 06	DTD4-Y 06	600	930	265	400
DTD4-L 08	DTD4-Y 08	800	1130	265	600
DTD4-L 10	DTD4-Y 10	1000	1430	215	1000

Typeskilt for oven



Typeskilt for kontrollenhet

